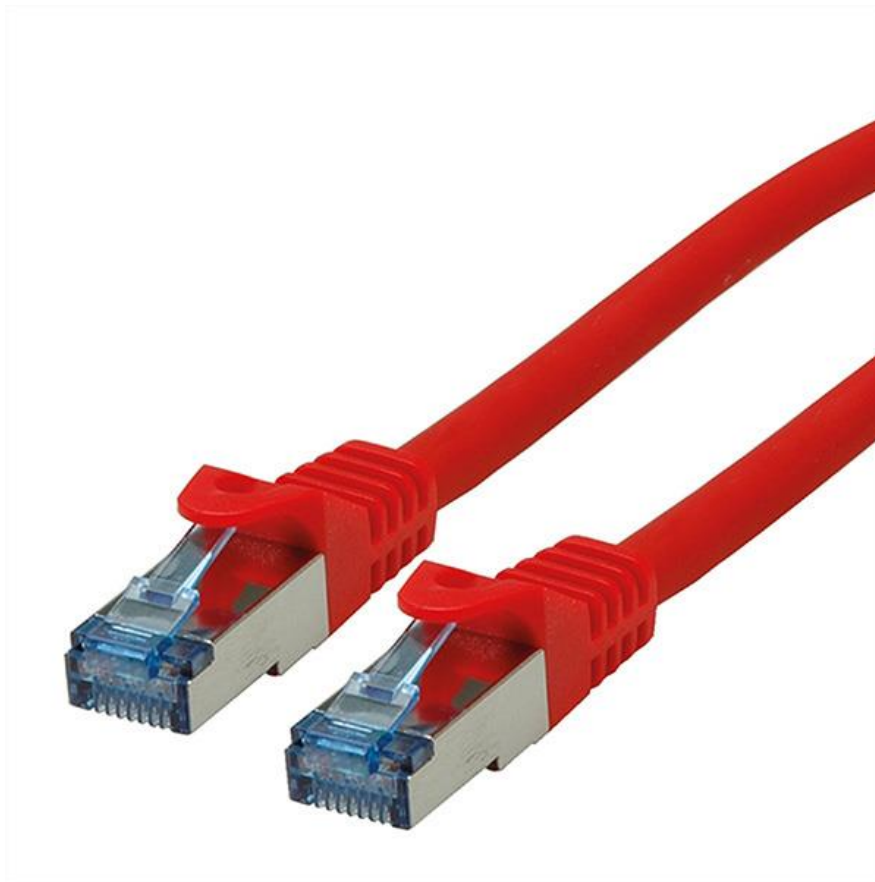




Datenblatt - Fiche technique - Data sheet

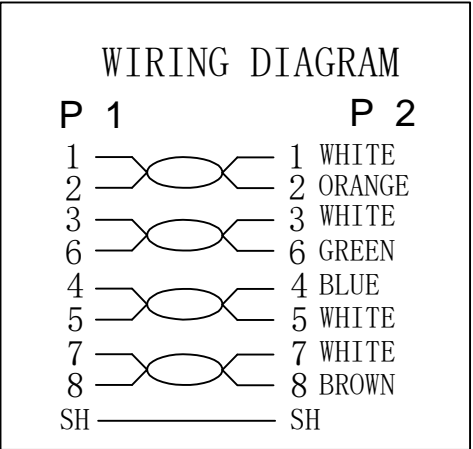
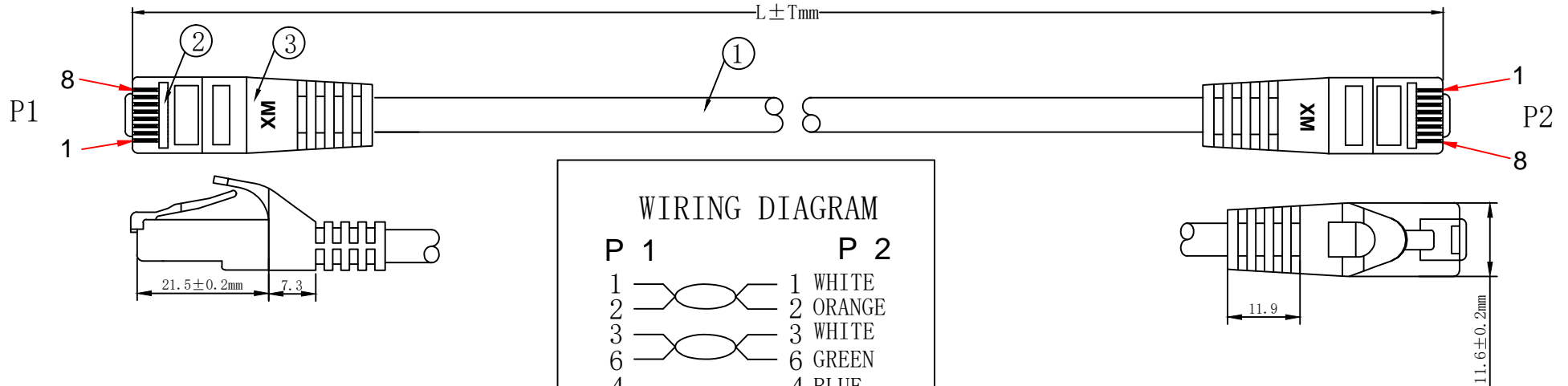
**21.15.2816**



ROLINE Patchkabel Kat.6A S/FTP (PiMF), Comp. Level, LSOH, rot, 7,5 m

Cordon ROLINE S/FTP(PiMF) Cat.6A / 10 Gigabit, LSOH, Component Level,  
rouge, 7,5 m

ROLINE S/FTP Patch Cord Cat.6A, Component Level, LSOH, red, 7.5 m



**1. ELECTRICAL TEST:**

- (1).100% OPEN SHORT & MISS WIRE TEST;
- (2).INSULATION RESISTANCE:DC 250V 20M OHM MIN;
- (3).CONTACTOR RESISTANCE:30 OHM MAX

2.PRINTING:GHMT® roline CAT.6A S/FTP COMPONENT PATCH CORD LSZH 500MHZ ISO/IEC 11801 & EN 50173-1 & ANSI/TIA-568-C.2

3.100% Component Patch cord Test PASS

4.Minimum bending radius:60mm

**MATERIAL LIST**

⑥	LABEL	NO DRY GLUE LABEL	1PCS	
⑤	MINI TIE	PE MINI TIE(POSSESS METAL)	2PCS	
④	POLYETHYLENE BAG	POLYETHYLENE BAG	1PCS	
③	OVER MOLD	88A PVC Red	2PCS	
②	CONNECTOR	RJ45 8P8C'S SHIELDED PIN GOLD PLATED 3u", SHELL PLATED NICKEL Transparent Blue	2PCS	
①	CABLE	S/FTP CAT.6A 26AWG (BC*1P+AL-FOIL)*4P+BRAID CABLE JACKET LSOH OD=6.2±0.2MM	1PCS	
NO.	PARTS NAME	SPECIFICATION STANDARD	QT' Y	REMARK

COLOUR:Red (PANTONE: 199C)					
ITEM NO.	LENGTH(L)		TOLERANCE (T)		
21. 15. 2971	300mm		± 10mm		
21. 15. 2810	500mm		± 15mm		
21. 15. 2811	1000mm		± 30mm		
21. 15. 2814	1500mm		± 45mm		
21. 15. 2812	2000mm		± 60mm		
21. 15. 2813	3000mm		± 90mm		
21. 15. 2815	5000mm		± 150mm		
21. 15. 2816	7500mm		± 210mm		
21. 15. 2817	10000mm		± 300mm		
21. 15. 2818	15000mm		± 450mm		
21. 15. 2819	20000mm		± 600mm		
ITEM NO.	21. 15. 2971	21. 15. 2810	21. 15. 2811	21. 15. 2812	21. 15. 2813
21. 15. 2814	21. 15. 2815	21. 15. 2816	21. 15. 2817	21. 15. 2818	21. 15. 2819
DESC.	ROLINE S/FTP PatchCord CAT. 6A, LSOH, Comp. Level1, red				

**SECOMP**

BY	CHK	NEW REVISION RECORD MODIFICATIONS	2016-09-13	A
			DATE	REV.