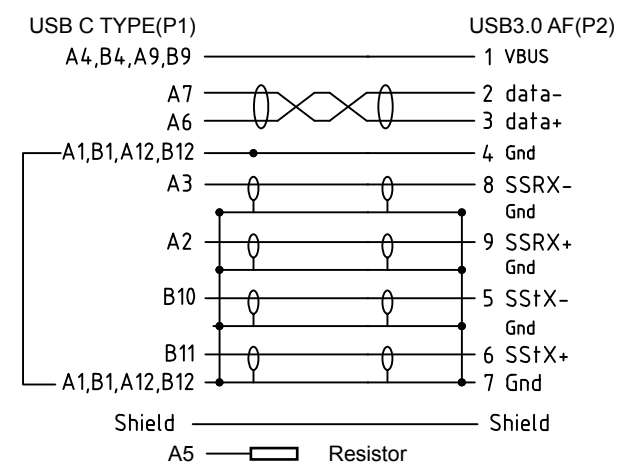


PIN ASSIGNMENT:



NOTE:

1. Electrical properties:
 1. ALL COMPONENTS ARE RoHS COMPLIANT.
 2. 100% OPEN AND SHORT TEST.
 3. CONDUCTOR RESISTANCE: 3 OHMS
 4. INSULATION RESISTANCE: 10 MEGOHMS.
 5. HI-POT: DC200V/0.01S
2. ROHS 2.0 and REACH

MATERIAL LIST

No.	PART NAME	DESCRIPTION	QTY
③	OUTER MOLD	PVC ,COLOR:BLACK	1
②	CONNECTOR	USB3.0 A FEMALE,NICKEL PLATED SHELL	1
①	CONNECTOR	USB3.1 TYPE C MALE ,NICKEL PLATED SHELL	1

Name	VALUE USB 3.1 Type C Adapter, C-A, M/F, OTG, black		
DRAW No.		NAME	12.99.9030
		MAPE	TOLERANCE
			X. ±1.00 X.X ±0.50
		DRAW BY	SCALE MM
			PAGE 1/1