

Outdoor Full-Color

Dual-Lens Varifocal Pan Tilt Network Camera

MODEL: VIGI C540V (3× Zoom)



4MP | H.265+

VIGI C540V | 3× Zoom



Instant Zoom



Human & Vehicle
Classification



Smart Detection



Powerful Pan Tilt



IP66*



Onboard Storage**

// Human & Vehicle Classification

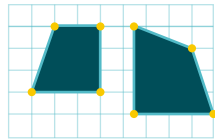
Intelligently distinguishes humans and vehicles from other objects, so you receive more accurate event notifications.



// Smart Detection



Motion
Detection



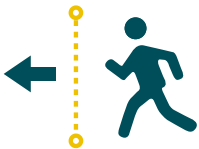
Region
Intrusion



Object Removal
Detection



Region Exiting
Detection



Line-Crossing



Camera
Tampering



Object Abandoned
Detection



Region Entering
Detection

// Zoom

- Instant Zoom
- Sharp & Stable Image Definition

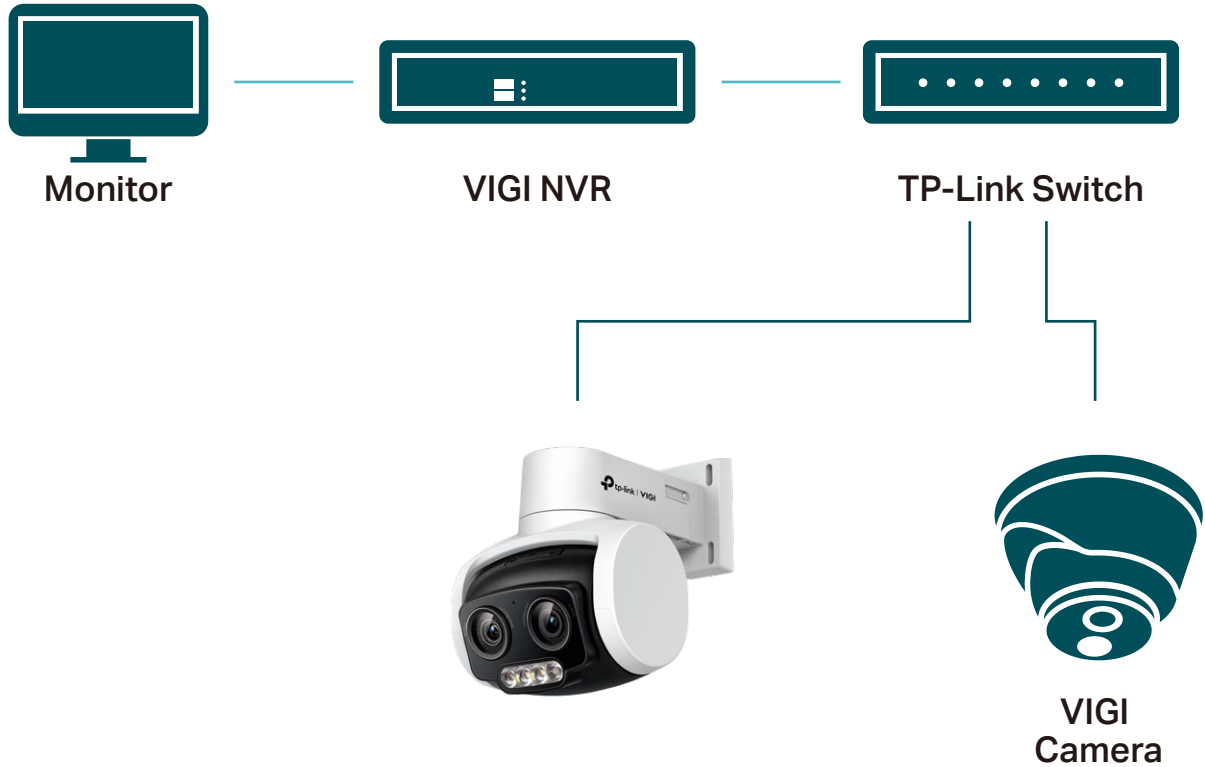
// Flexible Pan Tilt

- Customized Patrol
- Power-Off Memory Function
- Auto Tracking
- Remote Monitoring & Configuration

// VIGI Surveillance Solution

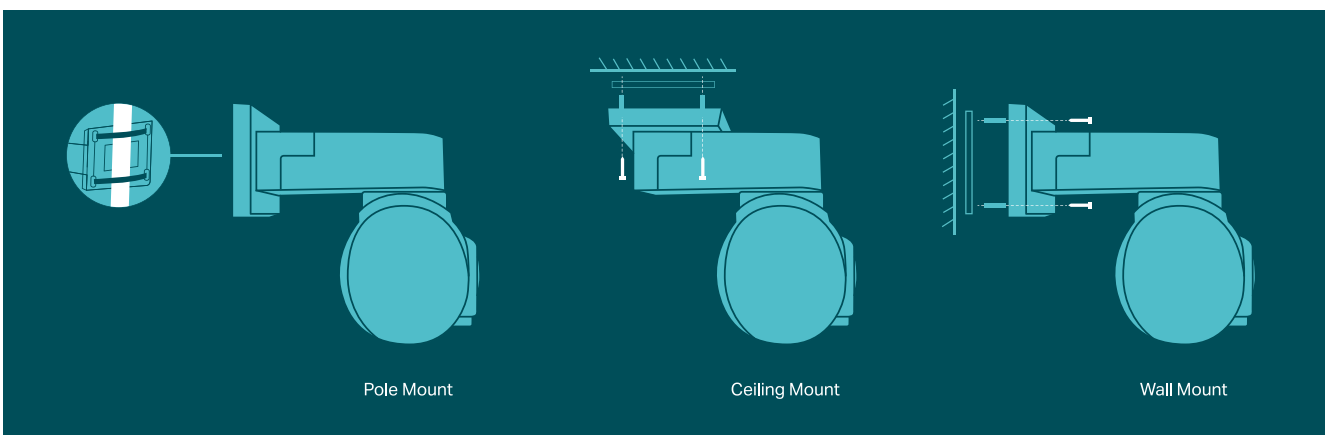
The VIGI professional surveillance system by TP-Link is dedicated to protecting the business that you've worked hard to build—whenever, wherever.

Outstanding functions, reliable quality guarantees, and simplified installation work together to ensure your business stays safe and sound.



// Flexible Installation

Find the perfect vantage point by simply securing your camera to the ceiling, wall, or pole**.



// Specifications

Camera	
Product Model	VIGI C540V
Image Sensor	1/3" Progressive Scan CMOS
Shutter Speed	1/3 to 1/10000 s
Slow Shutter	Yes
Min. Illumination	0.005 Lux; 0 Lux with IR/white light
Day/Night Mechanism	IR Cut Filter
Day/Night Switch	Unified/ Scheduled/ Auto
Zoom	3x Mixed Zoom
Lens	
Focal Length	4-12 mm (Mixed Zoom)
Aperture	F1.6
FOV	Diagonal FOV: 100°, Horizontal FOV: 84°, Vertical FOV: 46°
Lens Mount	M12*P 0.5
DORI Distance	<ul style="list-style-type: none">• 4 mm Detect: 80 m (262 ft) Observe: 33 m (109 ft) Recognize: 16 m (52 ft) Identify: 8 m (26 ft)• 8 mm Detect: 150 m (493 ft) Observe: 63 m (205 ft) Recognize: 30 m (98 ft) Identify: 15 m (49 ft)
PTZ	
Pan/tilt Range	Pan: 0° to 332°, Tilt: 0° to 120°
Pan/tilt Speed	Pan Speed: Configurable from 8° to 44°/s; Preset Speed: 44°/s Tilt Speed: Configurable from 8° to 44°/s, Preset Speed 44°/s
Manual Control Speed	Configurable from 8° to 35°/s
Presets	300
Patrol Scan	8 patrols, up to 8 presets for each patrol
Power-off Memory	Yes; Auto restore to previous PTZ and lens status after power failure
Park Action	Yes; Preset; Patrol Scan
3D Positioning	Yes
Angle Adjustment (manual)	
Range	Pan: 0° to 332°, Tilt: 0° to 120°

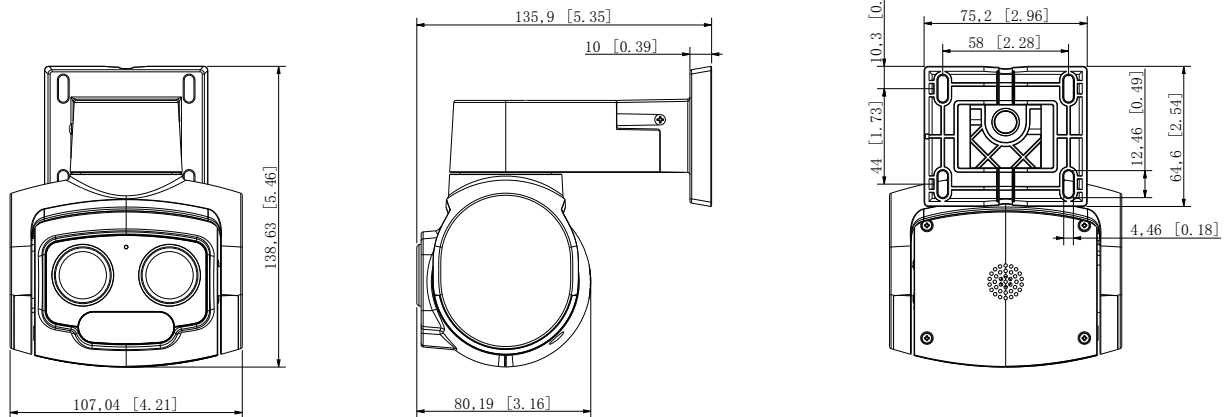
Illuminator	
IR LED	Quantity: 1 Range: 30m Wavelength: 850nm
White LED	Quantity: 3 Range: 30m
Illuminator On/Off Control	Auto/Scheduled/Always on/Always off
Video	
Max. Resolution	2560 X 1440
Main Stream	Frame Rate 50Hz: 1fps, 5fps, 10fps, 15fps, 20fps, 25fps 60Hz: 1fps, 5fps, 10fps, 15fps, 20fps, 25fps, 30fps Resolution: 2560x1440, 2304x1296, 2048x1280, 1920x1080, 1280x720
Sub-Stream	Frame Rate 50Hz: 1fps, 5fps, 10fps, 15fps, 20fps, 25fps 60Hz: 1fps, 5fps, 10fps, 15fps, 20fps, 25fps, 30fps Resolution: 640x480, 352x288, 320x240
Bit Rate Control	CBR, VBR
Video Compression	Main Stream: H.265+/H.265/H.264+/H.264 Sub-Stream: H.265/H.264
H.264 Type	High Profile
H.264+	Main Stream Supported
H.265 Type	Main Profile
H.265+	Main Stream Supported
Video Bit Rate	Main Stream: 256 Kbps to 4 Mbps Sub-Stream: 64 Kbps to 512 Kbps
Image	
Image Settings	Mirror, Brightness, Contrast, Saturation, Sharpness, Exposure, WDR, White Balance, Prevent Overexposure to Infrared Light, HLC Adjustable by Client Software
Image Enhancement	BLC/3D DNR/HLC/SmartIR
Wide Dynamic Range	DWDR
SNR	≥ 52 dB
Image Parameters Switch	Yes
Privacy Mask	Up to 4 Masks
ROI	1 Region
OSD Setting	Yes
Audio	
Audio Communication	Two-Way Audio

Audio Input	Yes
Audio Output	Yes
Audio Compression	Yes
Audio Sampling Rate	8KHz
Environment Noise Filtering	Yes
Audio Bit Rate	64 Kbps(G.711 alaw)
Network	
Protocols	TCP/IP, UDP, ICMP, HTTP, HTTPS, DHCP, DNS, RTSP, NTP, UPnP, UDP, SSL/TLS, FTP/SFTP, RTP, IPv4, IPv6, ARP
API	Open Network Video Interface (Profile S)
Web Browser	Google Chrome® 57 and above Firefox® 52 and above Safari® 11 and above Microsoft® Edge 91 and above
Security	Password Protection, HTTPS Encryption, IP Address Filter, Digest Authentication
Simultaneous Live View	3 Main Streams & 3 Sub-Streams
Client	VIGI App, VIGI Security Manager, Web UI
Cloud	Yes
ONVIF	Yes
Interface	
Network Interface	1 RJ45 10/100M Self-Adaptive Ethernet Port, PoE
On-board Storage	Built-In Memory Card Slot, Support MicroSD Card, up to 512 GB
Built-in Speaker	Yes
Built-in Microphone	Yes; Records Anything Going on within a 15-ft Radius of the Camera
Audio	N/A
Alarm	N/A
Reset Button	Yes
Power	DC Power Port
Alarm and Event Management	
Smart Event	Human & Vehicle Classification, Area Intrusion Detection, Line-Crossing Detection, People Detection, Vehicle Detection, Region Entering Detection, Region Exiting Detection, Object Abandoned Detection, Object Removal Detection, Abnormal Sound Detection
Basic Event	Motion Detection, Video Tampering Detection, Exception (Illegal Login),
Alarm Linkage	Memory Card Video Recording, Message Push, Audible Warning, White Light Flashing
Linkage Method	N/A
Output Notification	Message Push

General

Operating Temperature	-30–60 °C
Storage Temperature	-40–60 °C
Operating Humidity	95% or Less (Non-Condensing)
Storage Humidity	95% or Less (Non-Condensing)
Power Supply	12V DC ± 5%, Max. 14 W, 5.5mm Coaxial Power Plug PoE: 802.3at, class 4, Max. 16 W
Material	Plastic
Protection	IP66
Product Dimensions (L x W x H)	107*136*139 mm
Package Contents	VIGI Network Camera Quick Start Guide Waterproof Cable Attachments Mounting Accessories
Net Weight	0.43 Kg
Gross Weight	0.66 Kg
Certifications	CE, NTRA, VCCI, KC, BSMI, FCC, IC

Dimensions



Calculations based on laboratory testing. Actual zooming speed will vary as a result of client limitations and environmental factors.

Calculations based on laboratory testing using a 3MP VIGI camera, and an actual performance may vary according to the amount of activity recorded, resolution and other variables.

*SD card is not included in the package.

**Pole mounting kits are not included in the package.

Specifications are subject to change without notice and can be found at www.tp-link.com.

©2024 TP-Link