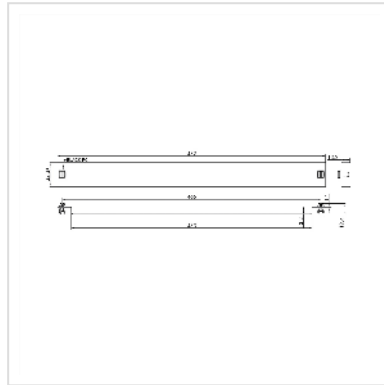


VALUE 19" Blank Panel, Snap-in, 1U, Metal, RAL 9005 black

Product No.	26.99.0003
Manufacturer	VALUE
Manufacturer No.	26.99.0003
EAN (single piece)	7630049628366



Tool-free

VALUE 19" blankink plate in RAL 9005 (black) to cover height units that are not required - with snap-in mechanism for quick and easy installation without cage nuts or other accessories.

- Suitable for all 19" network or server cabinets
- For use in 19" server cabinets to conceal unneeded installation spaces
- Easy to mount or dismount via snap-in mechanism
- Does not require any tools or cage nut mounting screws
- Snap-in functionality
- Material: Steel
- 19" blind with one height unit (1UH)

Technical specifications

Manufacturer	VALUE
Product group	19"-/10"-Additional accessories
Product type	Blind cover
Colour	RAL 9005 black
Scope of delivery	Blind plate

Weight	207.7 g
Height of packaging (single piece)	30 mm
Width of packaging (single piece)	50 mm
Depth of packaging (single piece)	490 mm
Package weight (single piece)	0.05 kg