



Datenblatt - Fiche technique - Data sheet

11.09.4383

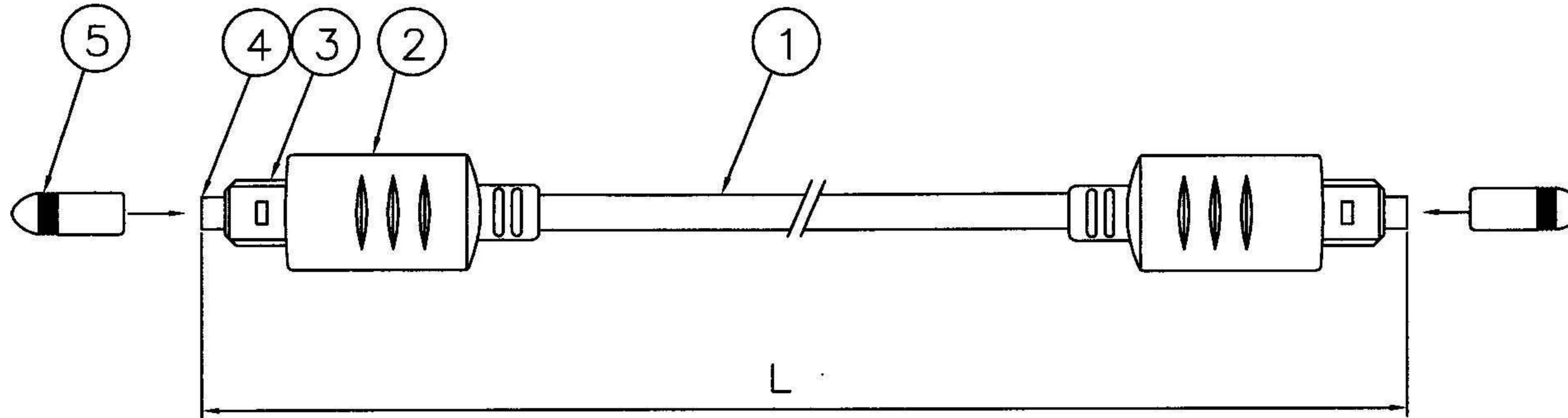


ROLINE Fiber-Kabel Toslink ST / ST, 3m

ROLINE Câble Toslink M/M, 3m

ROLINE Fiber Cable Toslink M - M, 3 m

1. DIMENSION



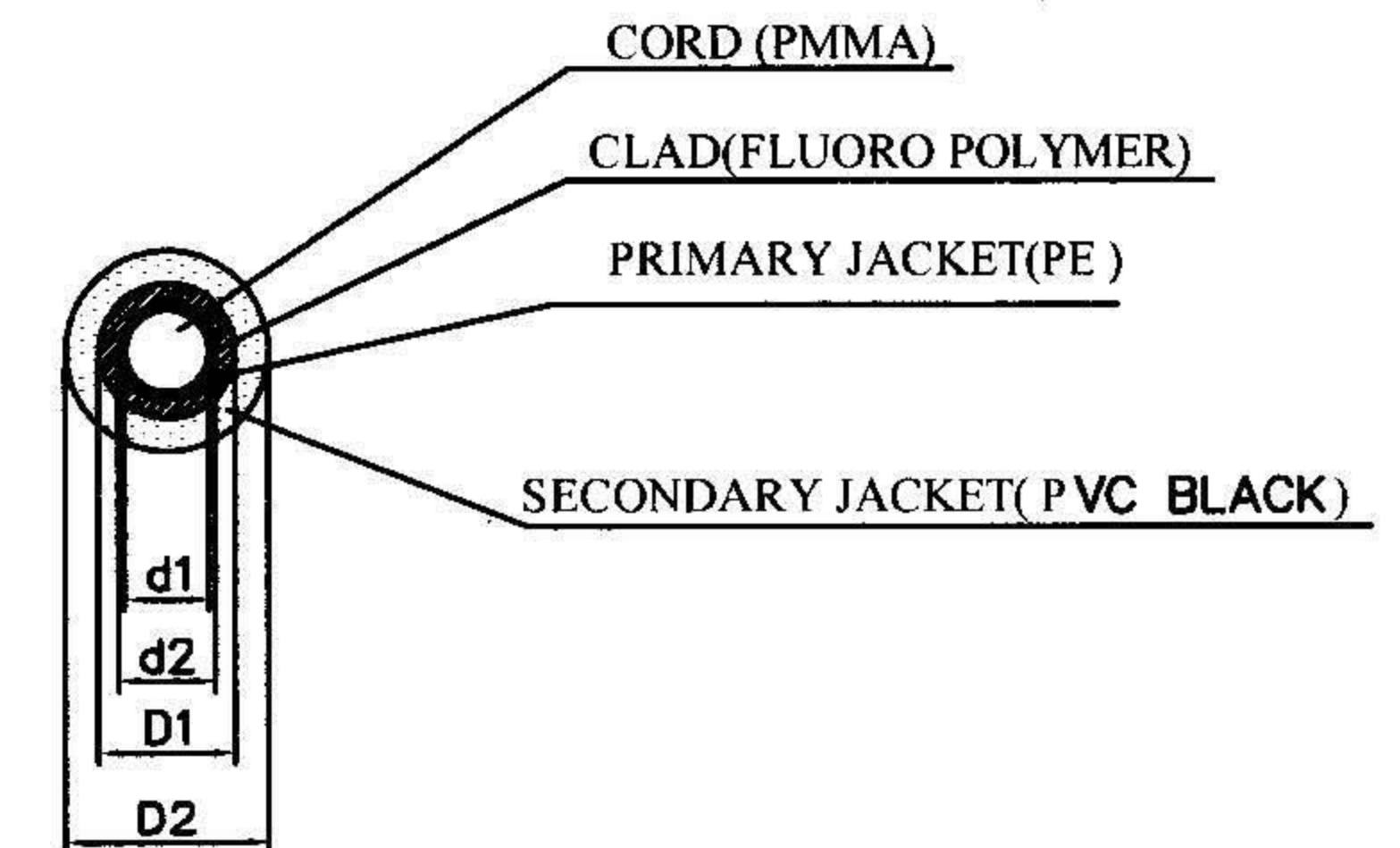
Item no.	L
11.09.4381	1000±30
11.09.4382	2000±50
11.09.4383	3000±100
11.99.4381	1000±30
11.99.4382	2000±50
11.99.4383	3000±100

NOTE:

1. 100 % TESTING.

2. TRANSMISSION LOSS 4.0 dB (L=5M) OR LESS

CORD SPEC.



d1... CORE DIAMETER	φ 0.98mm
d2... CLAD DIAMETER	φ 1.0mm
D1... PRIMARY JACKET DIAMETER	φ 2.2±0.07mm
D2... SECONDARY JACKET DIAMETER	φ 4.0±0.2mm

PART LISTS

NO	DESCRIPTION	MATERIAL	Q'TY	COLOR.FINISHED
1	OPTICAL FIBER CABLE	PVC	1	BLACK
2	OPT PLUG CAP	PVC	2	BLACK
3	TOSLINK OPT PLUG	PBT+G30%	1	BLACK
4	CENTER PIN	BRASS	1	GOLD PLATED
5	PROTECTIVE CAP	PVC	2	TRANSPARENT

REV : 1

△					表面		Rotronic Co., Ltd.
△					顏色		
△					COLOR		
△					厚度		
△					THICKNESS		
△					處理		
△					PROCESS		
△					材質		
△					MATERIAL		
記號	修正	日期	檢	認	公差		件
MARK	REVISION	DATE	SIGN	APPO	TOLERANCE		號
APPROVED BY	CHECKED BY	DESIGNED BY	製	DRAWN BY	比例		名
96.6.6	2007-6-4	SHEU	圖	SHEU	SCALE		稱
					單位	mm	圖
					UNIT		號
							PART NO
							11.09.4381,82,83 11.99.4381,82,83
							DESCRIPTION
							OPTICAL FIBER
							CONNECTING CABLE
							DRAWN NO.
							SP-1712
							SHEET
							1/1