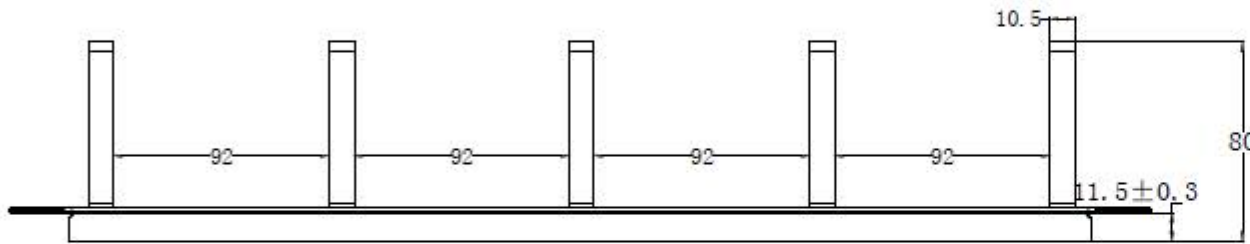
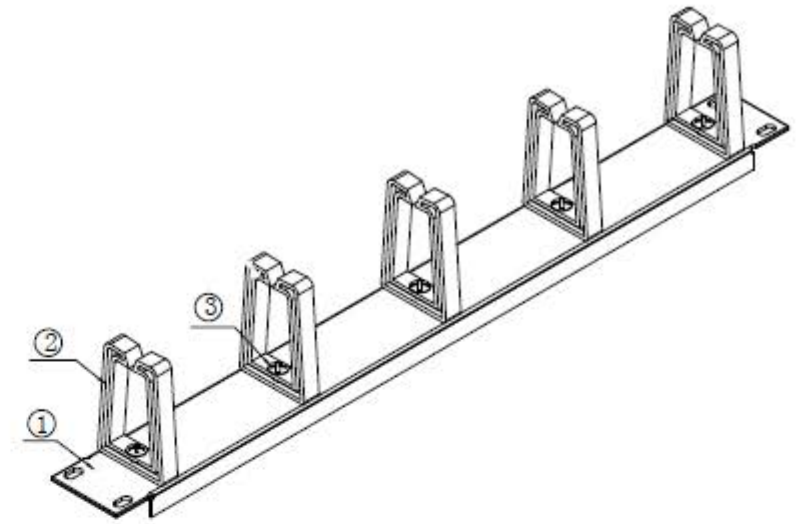
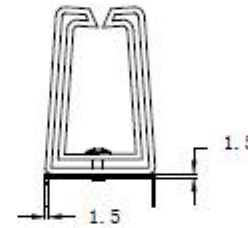


unit: mm



unit: mm



MATERIAL LIST:

MATERIAL LIST:					Item No.	Color
③	Screw	M5*10	5		26.99.0311	light grey (RAL 7035)
②	Rack	PLASTIC RING (ABS)	5		26.99.0312	black (RAL 9005)
①	Bottom Panel	METAL THICKNESS 1.2mm	1		Desc. VALUE 19" 1U Cable Management Plate, C-Type w/5 hooks	
NO.	PARTS NAME	SPECIFICATION DESCRIPTION	QT'Y	REMARK		
Unit	mm				SECOMP	
		NEW	2018-11-22	A		
BY	CHK	REVISION RECORD MODIFICATIONS	DATE	REV.		