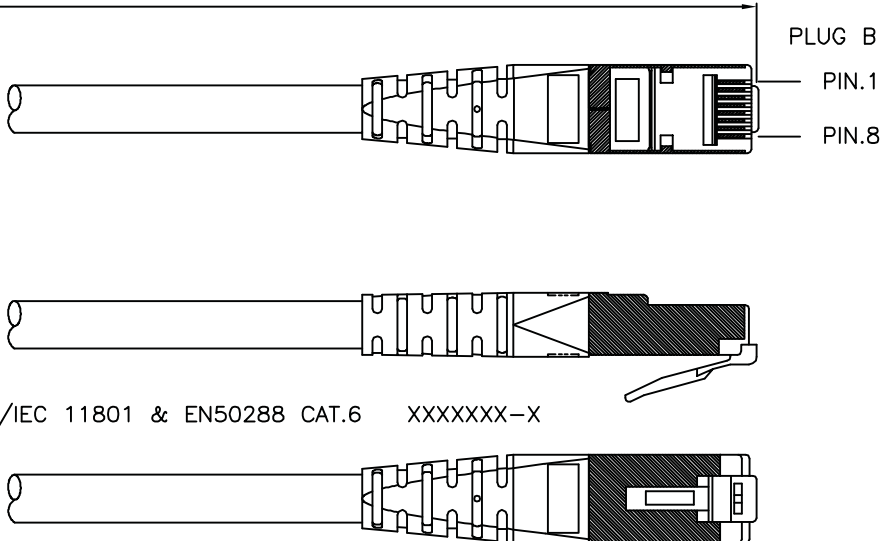
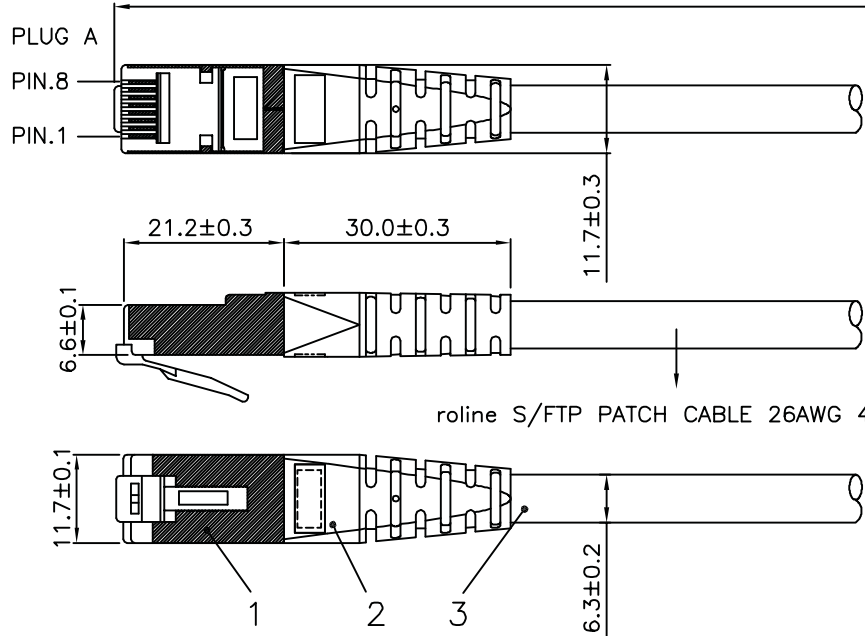


1 2 3 4 5 6

Total length (optional)



roline S/FTP PATCH CABLE 26AWG 4PR ISO/IEC 11801 & EN50288 CAT.6 XXXXXXXX-X

- (1) Jacket Color : Yellow(RAL1021)
- (2) Wiring:T568B

item no.	length	tolerance
21.15.1312	0.3M	+20 -0
21.15.1322	0.5M	+20 -0
21.15.1332	1M	+20 -0
21.15.0825	1.5M	+20 -0
21.15.1342	2M	+20 -10
21.15.1352	3M	+20 -10
21.15.1362	5M	+30 -20
21.15.1372	7M	+30 -20
21.15.1382	10M	+30 -20
21.15.1392	15M	+30 -20
21.15.1402	20M	+70 -30

Specification :

Material :

- RJ45 Plug :
 - Housing : Polycarbonate,Transparent color.
 - Contact material : Phosphor Bronze with 50-60 micro-inch Nickel plated.
 - Contact finished : Min. 50 micro-inch Gold plated on surface contact area.
 - Shield : Bronze with Nickel plated.
- Molding : PVC.
- Cable :
 - Jacket : PVC.
 - Conductor : 26 AWG stranded copper.
 - Isolation : PE.
 - Shield : Aluminum Foil Shielded for Each Pair, Tin Copper Braid.
- Cable structure : S/FTP, 4 twisted pair.
- Minimum Bending Radius: 50mm

item no	21.15.1312	21.15.1322	21.15.1332	21.15.0825	21.15.1342
	21.15.1352	21.15.1362	21.15.1372	21.15.1382	21.15.1392
Desc	ROLINE Cat 6 S/FTP Patch Cord, Yellow				

"#": Matching DIM.	DRAWING	23.JuL.2016	byz
"*": Important DIM.	CHECK	23.JuL.2016	Jane
Others General DIM.	APPROVAL	23.JuL.2016	Jaimy
GENERAL TOLERANCE OF DIMENSIONS		DATE	NAME
X.XXX ±0.005			
X.XX ±0.05			
X.X ±0.1			



SCALE	1/1 (A4)	UNIT	mm
DRAWING NO.		DRAWING CLASSIFICATION	
S	SHEET	1 OF 1	A1

No.	MODIFIED AREA	ORIGINAL	MODIFY	DATE	MODIFIER

1 2 3 4 5 6 10cm