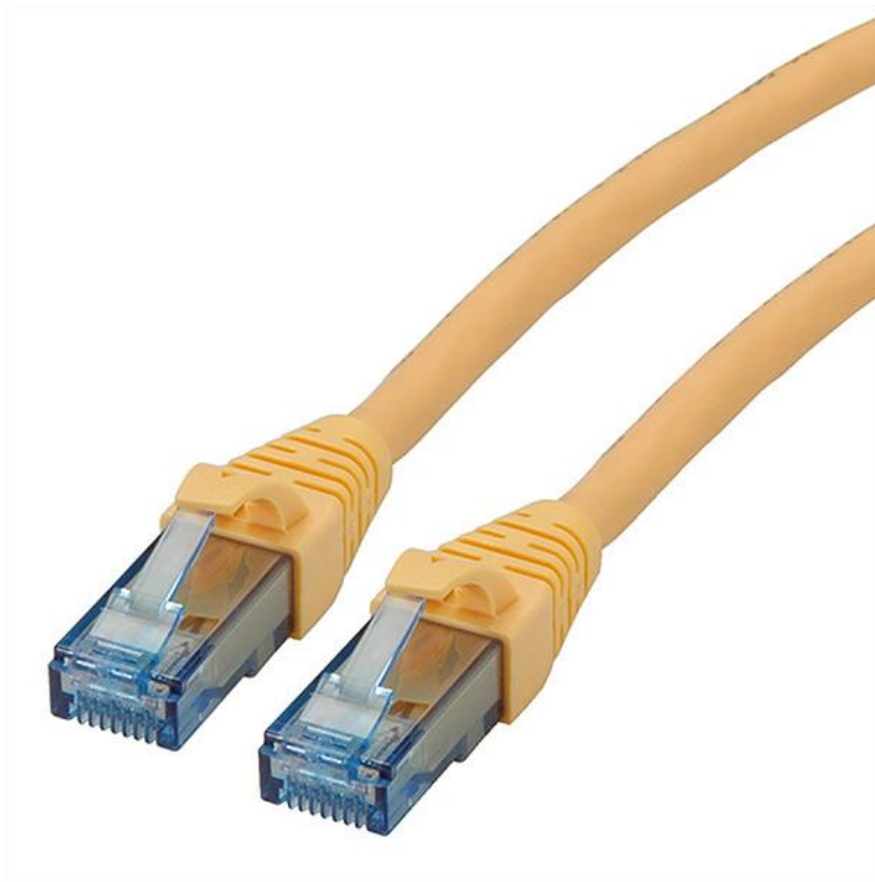




Datenblatt - Fiche technique - Data sheet

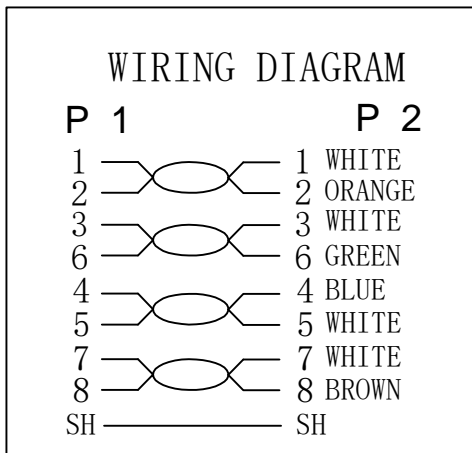
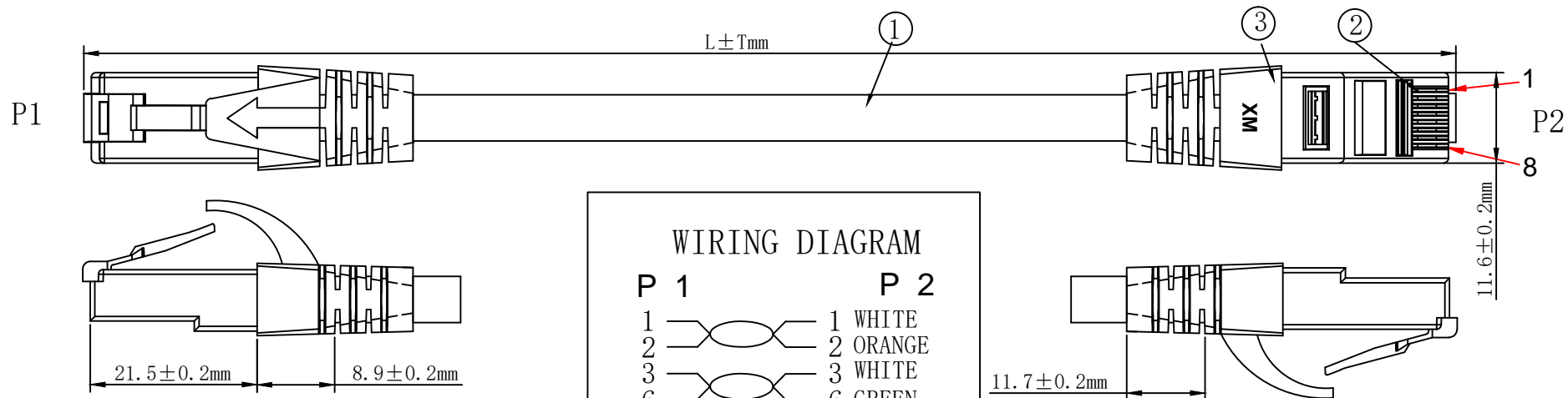
21.15.2722



ROLINE Patchkabel Kat.6A UTP, Component Level, LSOH, gelb, 2,0 m

Cordon ROLINE UTP Cat.6A / 10 Gigabit, Component Level, LSOH, jaune, 2,0 m

ROLINE UTP Patch Cord Cat.6A, Component Level, LSOH, yellow, 2.0 m



1. ELECTRICAL TEST:

- (1).100% OPEN SHORT & MISS WIRE TEST;
- (2).INSULATION RESISTANCE:DC 250V 20M OHM MIN;
- (3).CONTACTOR RESISTANCE:30 OHM MAX

2. PRINTING:GHMT® roline CAT.6A U/UTP COMPONENT PATCH CORD LSZH 500MHz ISO/IEC

11801 & EN 50173-1 & ANSI/TIA-568-C.2

3.100% Component Patch cord Test PASS

4.Minimum bending radius:60mm

MATERIAL LIST

| | | | | |
|-----|------------------|---|-------|--------|
| ⑥ | LABEL | NO DRY GLUE LABEL | 1PCS | |
| ⑤ | MINI TIE | PE MINI TIE(POSSESS METAL) | 2PCS | |
| ④ | POLYETHYLENE BAG | POLYETHYLENE BAG | 1PCS | |
| ③ | OVER MOLD | 88A PVC yellow | 2PCS | |
| ② | CONNECTOR | RJ45 8P8C'S UNSHIELDED PIN GOLD PLATED 3u", Transparent Blue | 2PCS | |
| ① | CABLE | S/FTP CAT.6A 26AWG (BC*1P+AL-FOIL)*4P+BRAID CABLE JACKET LSOH OD=6.2±0.2MM | 1PCS | |
| NO. | PARTS NAME | SPECIFICATION STANDARD | QT' Y | REMARK |

COLOUR:yellow (PANTONE:135C)

| ITEM NO. | LENGTH (L) | TOLERANCE (T) |
|--------------|------------|---------------|
| 21. 15. 2983 | 300mm | ± 10mm |
| 21. 15. 2720 | 500mm | ± 15mm |
| 21. 15. 2721 | 1000mm | ± 30mm |
| 21. 15. 2724 | 1500mm | ± 45mm |
| 21. 15. 2722 | 2000mm | ± 60mm |
| 21. 15. 2723 | 3000mm | ± 90mm |
| 21. 15. 2725 | 5000mm | ± 150mm |
| 21. 15. 2726 | 7500mm | ± 210mm |
| 21. 15. 2727 | 10000mm | ± 300mm |
| 21. 15. 2728 | 15000mm | ± 450mm |
| 21. 15. 2729 | 20000mm | ± 600mm |

| | | | | | |
|--------------|---|--------------|--------------|--------------|--------------|
| ITEM NO. | 21. 15. 2983 | 21. 15. 2720 | 21. 15. 2721 | 21. 15. 2722 | 21. 15. 2723 |
| 21. 15. 2724 | 21. 15. 2725 | 21. 15. 2726 | 21. 15. 2727 | 21. 15. 2728 | 21. 15. 2729 |
| DESC. | ROLINE U/UTP PatchCord CAT. 6A, LSOH, Comp. Level, yellow | | | | |

| | | | | | |
|----|-----|-------------------------------|--|------------|------|
| | | NEW | | 2016-09-13 | A |
| BY | CHK | REVISION RECORD MODIFICATIONS | | DATE | REV. |

