



## **Inorax ECO Cabinet Installation Guide**

**Note :** Periodically check that all fasteners and components are securely tightened

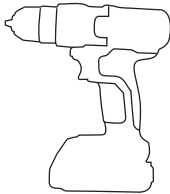
If the Cabinet was purchased assembled, it is the owner's responsibility, before insatalling any active Component the Cabinet for the first time, to make sure the Cabinet has been assembled and adjusted exactly as written in this manual, and any "Special Instructions" supplied and to make sure all fasteners and components are securely tightened.

**Note:** Images are only for simutaion. The images shown may not match your product's color.

### Introduction

- ✓ This Owner's Manual is made for several different cabinet
- ✓ Some illustrations may vary slightly from the actual product
- ✓ Follow instructions completely.
- ✓ If the cabinet has any parts that are not described in this manual, look for separate "Special Instructions" that are supplied with the cabinet.
- ✓ Models may have different accessory items such as Perforated Front Door, Glass Door, Adapter etc.
- ✓ Please read through this entire manual before beginning assembly or maintenance

### Tools Needed



Drill Screwdriver

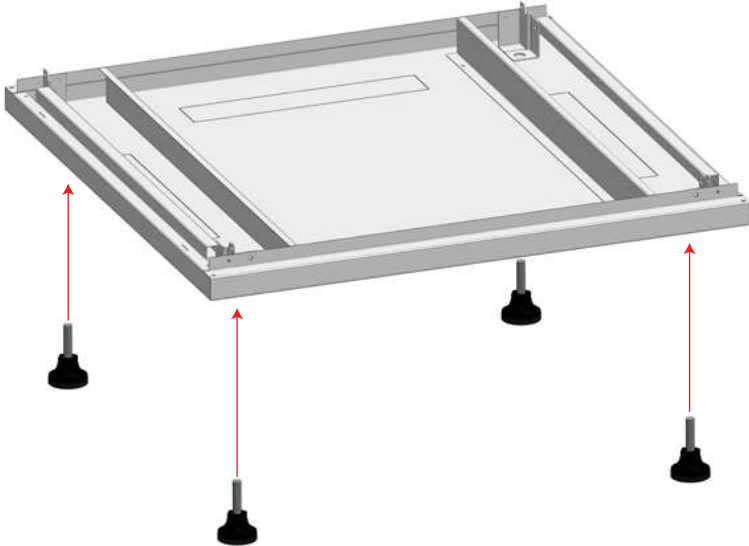


Phillips Screwdriver Bit

Parts Assembly List	CSN-U Series (26U-47U)		CSS-U Series (26U-47U)	
	W=600	W=800	W=600	W=800
M5 X12 Philips External 6-lobe	68	68	24	40
M12X85 Adjustable Feet	4	4	4	4
Bottom Cover	1	1	1	1
Top Cover	1	1	1	1
Vertical Profile	2	2	4	4
Side Support Rails	2	2	2	2
W=800 Adapter	0	2	0	4
19" Mounting Rails	2	2	4	4
Solid Side Panel	2	2	2	2
Solid Rear Panel	1	1	0	0
Front Door	1	1	0	0
Perforated Front&Rear Door	0	0	2	2
Rear Door Holder	2	2	0	0
Rear Door Fixer	2	2	0	0
Track Link Part	4	4	4	4

**Note :** Use the parts list included in this manual to verify that all parts are accounted for before assembly. If any parts are missing, contact the retailer of this Cabinet for replacement parts

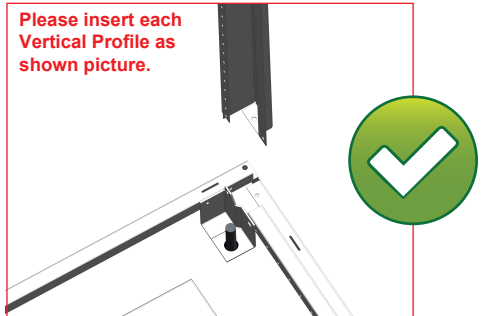
## Assembling Adjustable feet on the Bottom Sheet



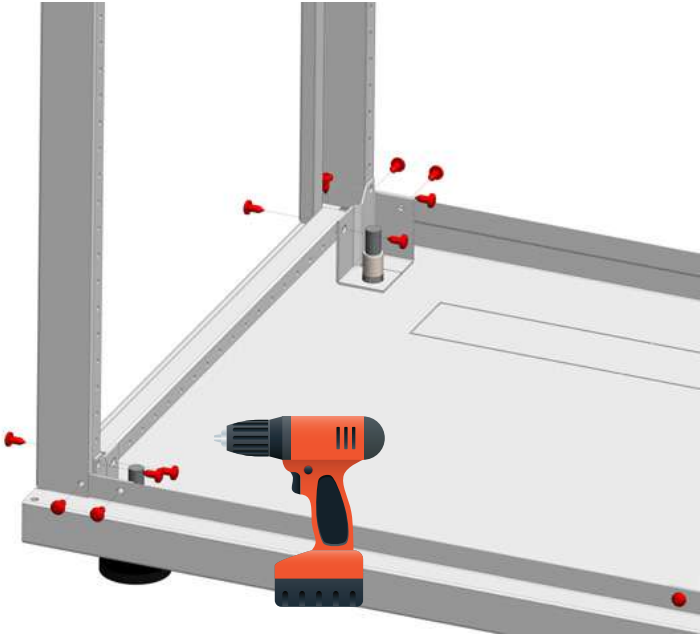
## Assembling Vertical Profiles



Please insert each Vertical Profile as shown picture.



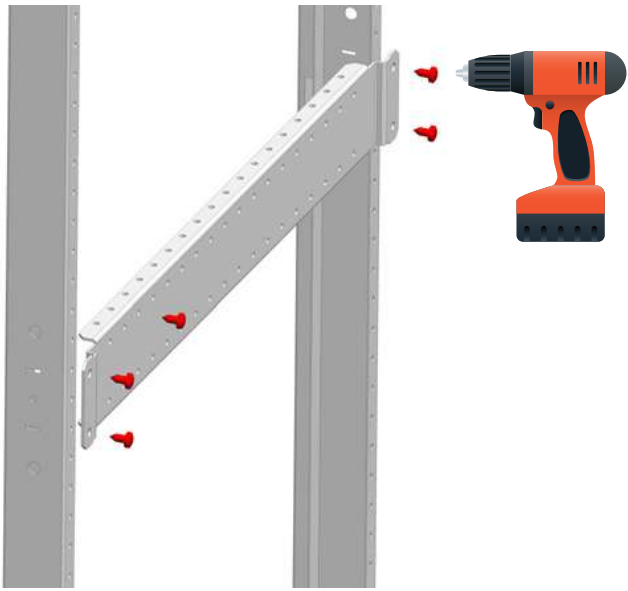
## Assembling Vertical Profiles



After inserting the Vertical Profiles please fix it from two side as shown on the picture with M5x12 Philips External (6-lobe)

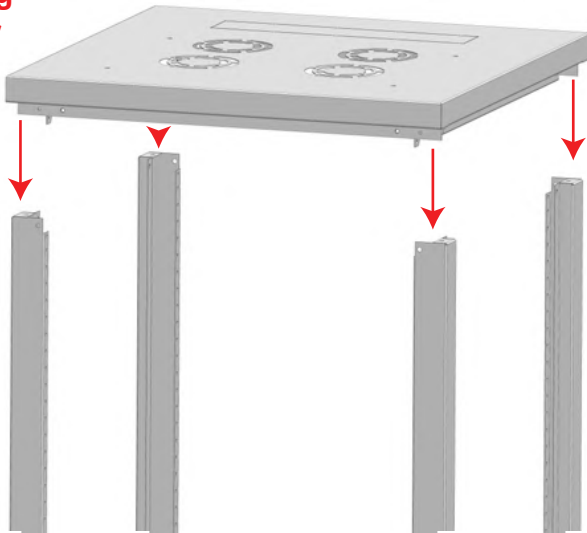
Do not over-tighten. This will damage the bolt

## Assembling Side Support Rails

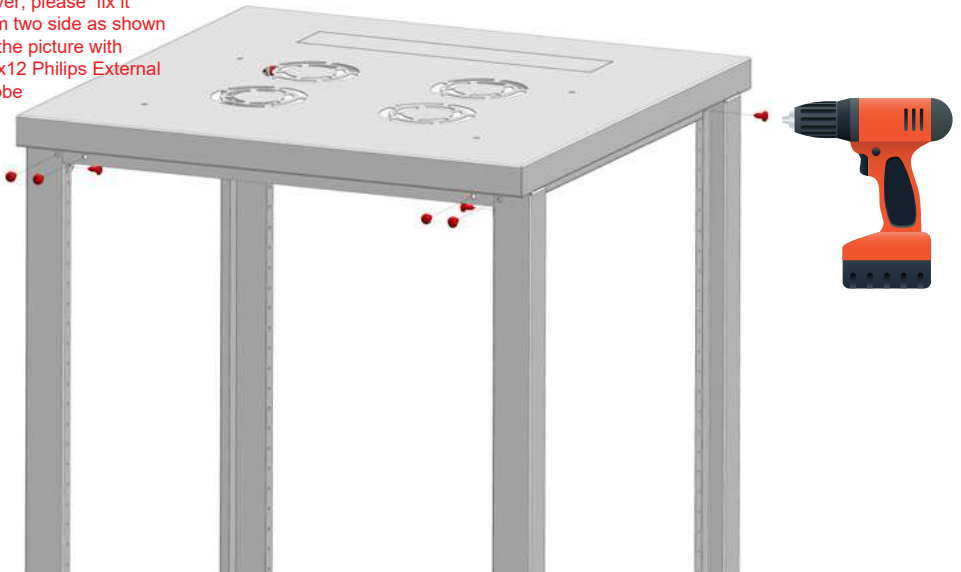


Fix Left and Right Supporting Rails with 4 M5 X12 Philips External (6-lobe)

## Assembling Top Cover

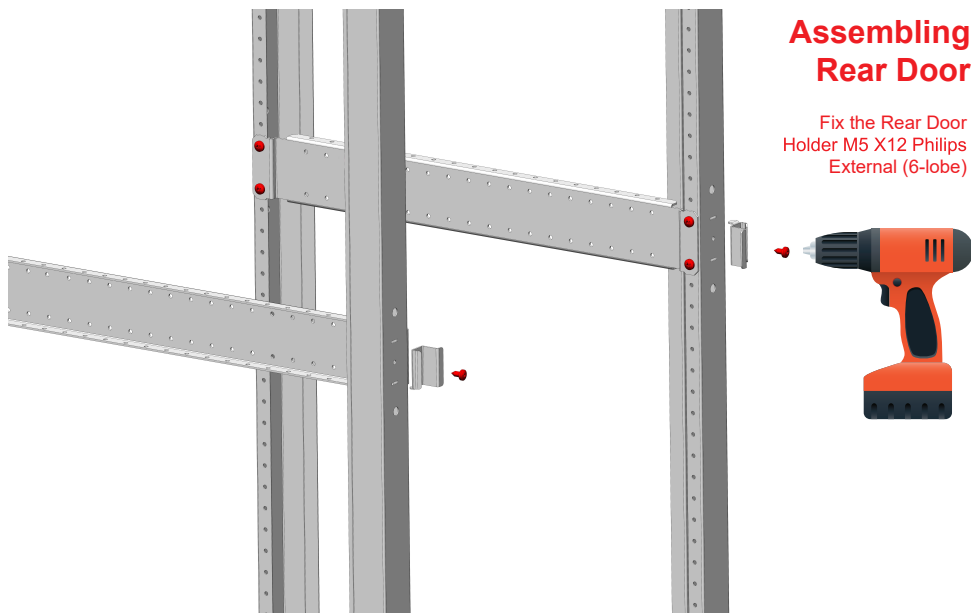


After inserting Top Cover, please fix it from two side as shown on the picture with M5x12 Philips External 6-lobe

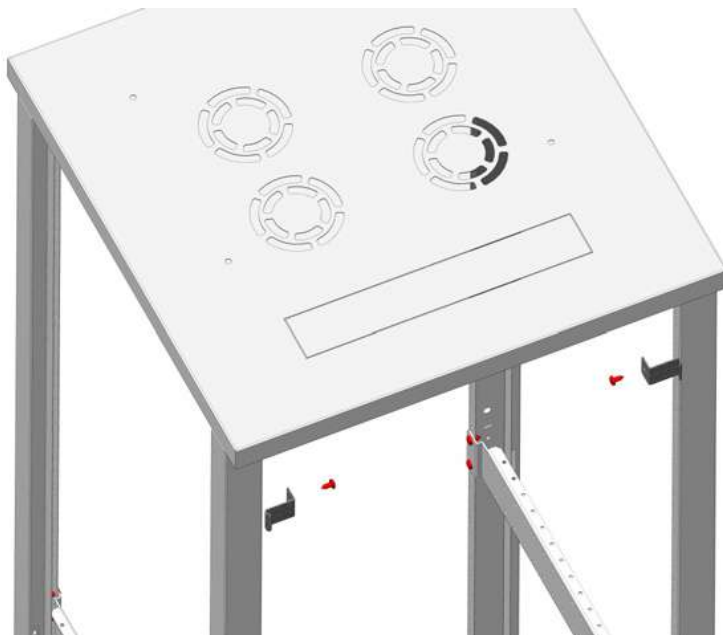


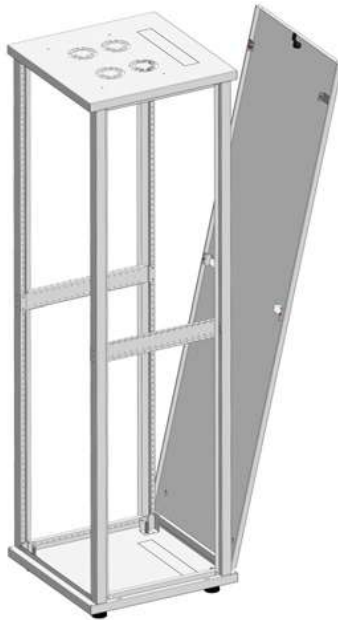
## Assembling Rear Door

Fix the Rear Door Holder M5 X12 Philips External (6-lobe)

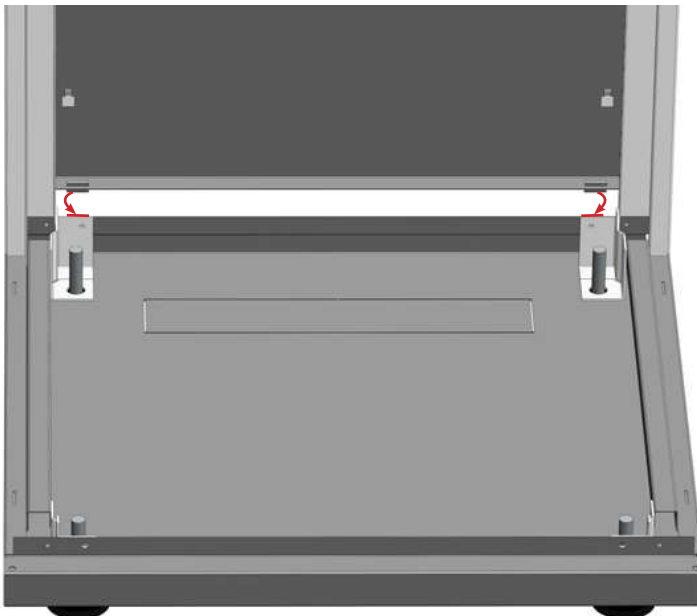


Fix the Rear Door Fixer M5 X12 Philips External (6-lobe)





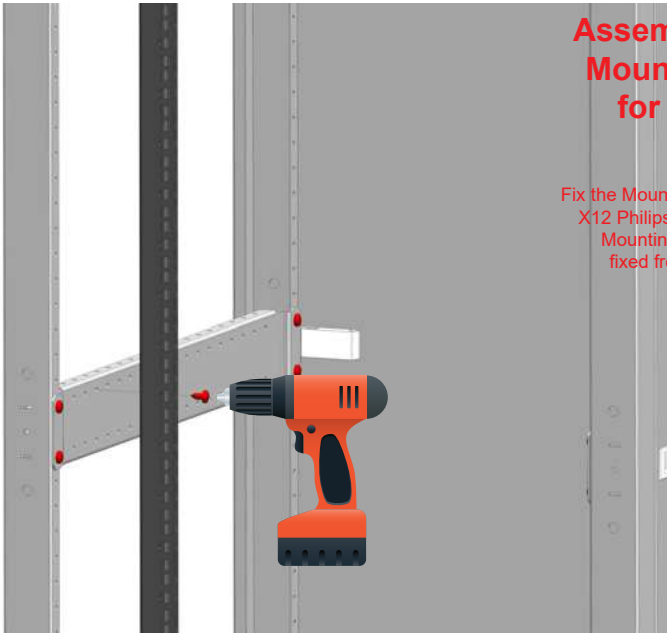
While you install Rear Panel make sure locks are unlocked.



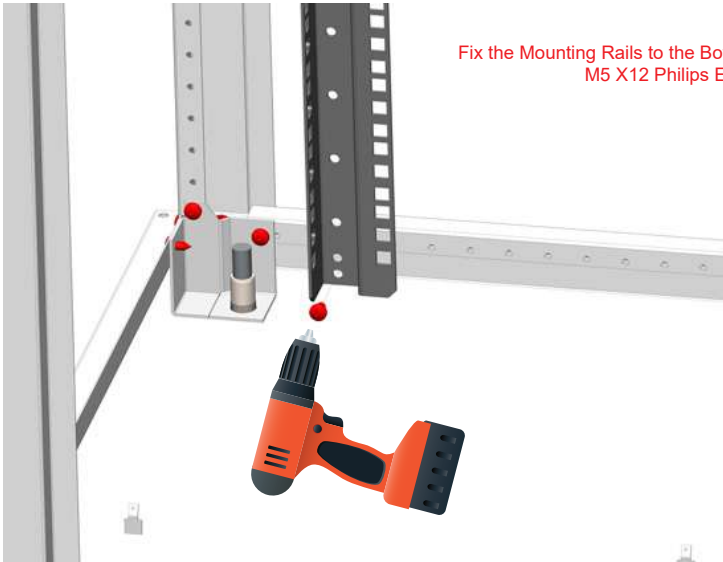
Please first put lugs in hole which is on the bottom frame as shown on the picture

## Assembling 19” Mounting Rails for 600 width

Fix the Mounting Rails with M5  
X12 Philips External (6-lobe)  
Mounting rails have to be  
fixed from 3 point on the  
cabinet

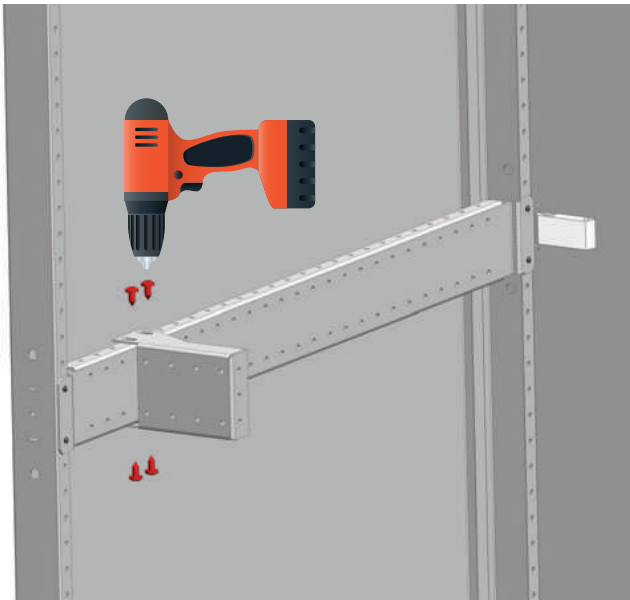
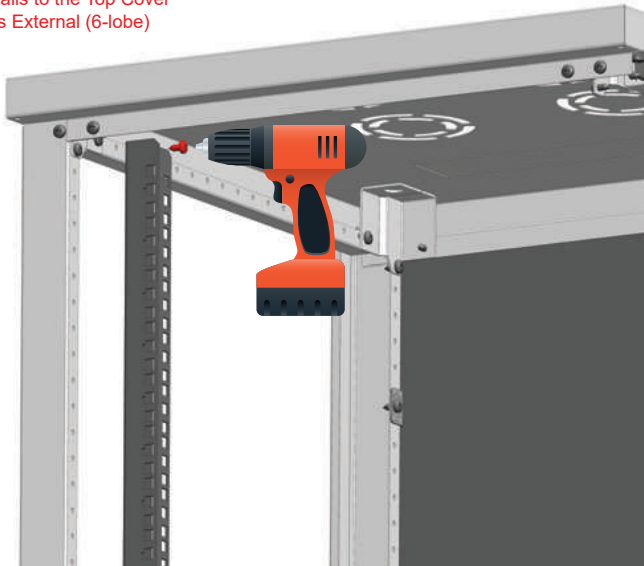


Fix the Mounting Rails to the Bottom Cover with  
M5 X12 Philips External (6-lobe)





Fix the Mounting Rails to the Top Cover with M5 X12 Philips External (6-lobe)



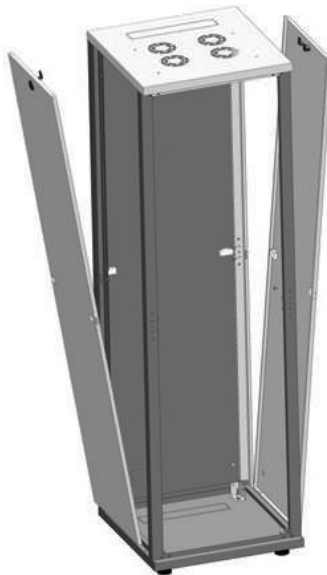
## Assembling 19” Mounting Rails for 800 width

Fix Adapters on Side Support  
Rails for left and right side  
each Adapter has to be fixed  
with M5 X12 Philips External  
(6-lobe)

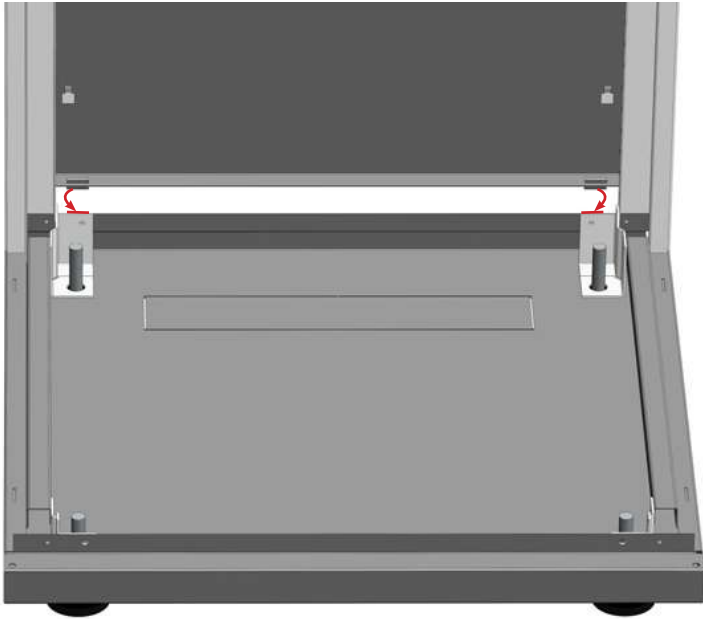


**Fix the 19" Mounting Rails on the adapters from 3 points First one to the Adapter Second one Bottom Cover and Third point to the Top Cover**

## **Assembling Side Panels**



While you install side panel make sure locks are unlocked. Please first put lugs in hole which is on the bottom frame as shown next page



## Assembling Front Door

