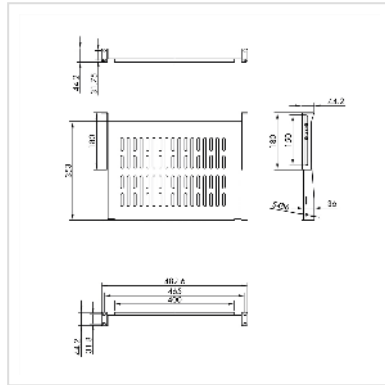


VALUE 19"-Fixed Shelf, 485 x 350mm, max. 25kg, 1U, black

Product No.	26.99.0402
Manufacturer	VALUE
Manufacturer No.	26.99.0402
EAN (single piece)	7630049627086



Mounting rack for installation in 19-inch cabinets and wall-mounted enclosures

- 19" fixed shelf with maximum load capacity of 10 kg (25 kg with angled brackets)
- Suitable for cabinets and wall-mounted enclosures from 600 mm depth
- Angle brackets included

REMARK:

Increased load capacity of 25 kg when using angle brackets (requires rear 19" plane)

Technical specifications

Manufacturer	VALUE
Product group	19"-/10"-Equipment rack
Product type	19"-tool carriers
Colour	black
Extractable	No
19" shelves required for mounting	1
Footprint (WxD)	440 x 350 mm
Max. load capacity	25 kg
Required mounting height	1U

Height	44 mm
Width	485 mm
Depth	350 mm
Weight	1820 g
Height of packaging (single piece)	70 mm
Width of packaging (single piece)	500 mm
Depth of packaging (single piece)	370 mm
Package weight (single piece)	2 kg