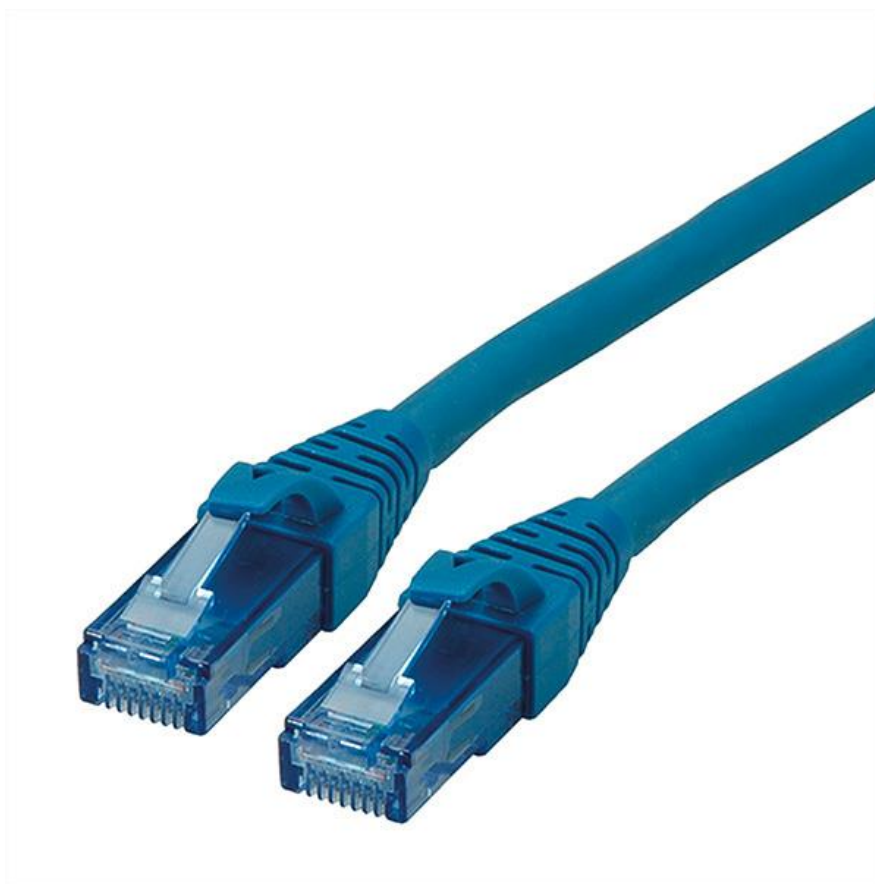




Datenblatt - Fiche technique - Data sheet

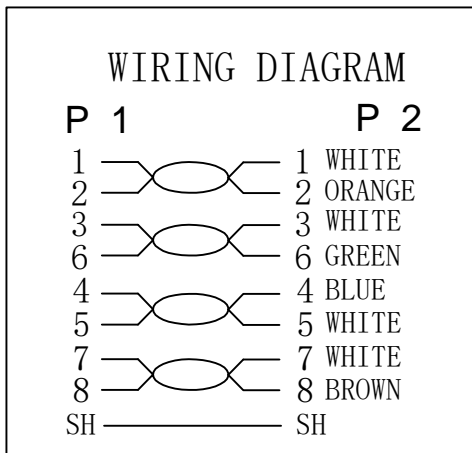
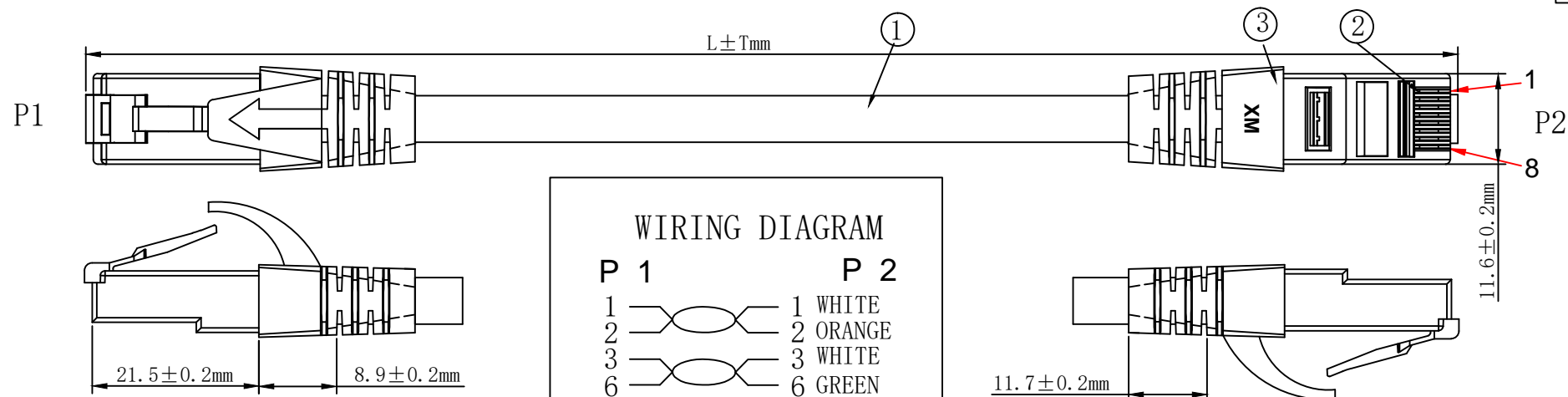
**21.15.2745**



ROLINE Patchkabel Kat.6A UTP, Component Level, LSOH, blau, 5,0 m

Cordon ROLINE UTP Cat.6A / 10 Gigabit, Component Level, LSOH, bleu, 5,0 m

ROLINE UTP Patch Cord Cat.6A, Component Level, LSOH, blue, 5.0 m



**1. ELECTRICAL TEST:**

- (1).100% OPEN SHORT & MISS WIRE TEST;
- (2).INSULATION RESISTANCE:DC 250V 20M OHM MIN;
- (3).CONTACTOR RESISTANCE:30 OHM MAX

**2.PRINTING:GHMT® roline CAT.6A U/UTP COMPONENT PATCH CORD LSZH 500MHZ ISO/IEC**

11801 & EN 50173-1 & ANSI/TIA-568-C.2

3.100% Component Patch cord Test PASS

4.Minimum bending radius:60mm

**MATERIAL LIST**

⑥	LABEL	NO DRY GLUE LABEL	1PCS	
⑤	MINI TIE	PE MINI TIE(POSSESS METAL)	2PCS	
④	POLYETHYLENE BAG	POLYETHYLENE BAG	1PCS	
③	OVER MOLD	88A PVC blue	2PCS	
②	CONNECTOR	RJ45 8P8C'S UNSHIELDED PIN GOLD PLATED 3u", Transparent Blue	2PCS	
①	CABLE	S/FTP CAT.6A 26AWG (BC*1P+AL-FOIL)*4P+BRAID CABLE JACKET LSOH OD=6.2±0.2MM	1PCS	
NO.	PARTS NAME	SPECIFICATION STANDARD	QT' Y	REMARK

COLOUR:blue (PANTONE:647C)

ITEM NO.	LENGTH (L)	TOLERANCE (T)
21. 15. 2985	300mm	± 10mm
21. 15. 2740	500mm	± 15mm
21. 15. 2741	1000mm	± 30mm
21. 15. 2744	1500mm	± 45mm
21. 15. 2742	2000mm	± 60mm
21. 15. 2743	3000mm	± 90mm
21. 15. 2745	5000mm	± 150mm
21. 15. 2746	7500mm	± 210mm
21. 15. 2747	10000mm	± 300mm
21. 15. 2748	15000mm	± 450mm
21. 15. 2749	20000mm	± 600mm

ITEM NO.	21. 15. 2985	21. 15. 2740	21. 15. 2741	21. 15. 2742	21. 15. 2743
21. 15. 2744	21. 15. 2745	21. 15. 2746	21. 15. 2747	21. 15. 2748	21. 15. 2749
DESC.	ROLINE U/UTP PatchCord CAT. 6A, LSOH, Comp. Level, blue				



		NEW		2016-09-13	A
BY	CHK	REVISION RECORD MODIFICATIONS		DATE	REV.