



Datenblatt - Fiche technique - Data sheet

11.02.8752

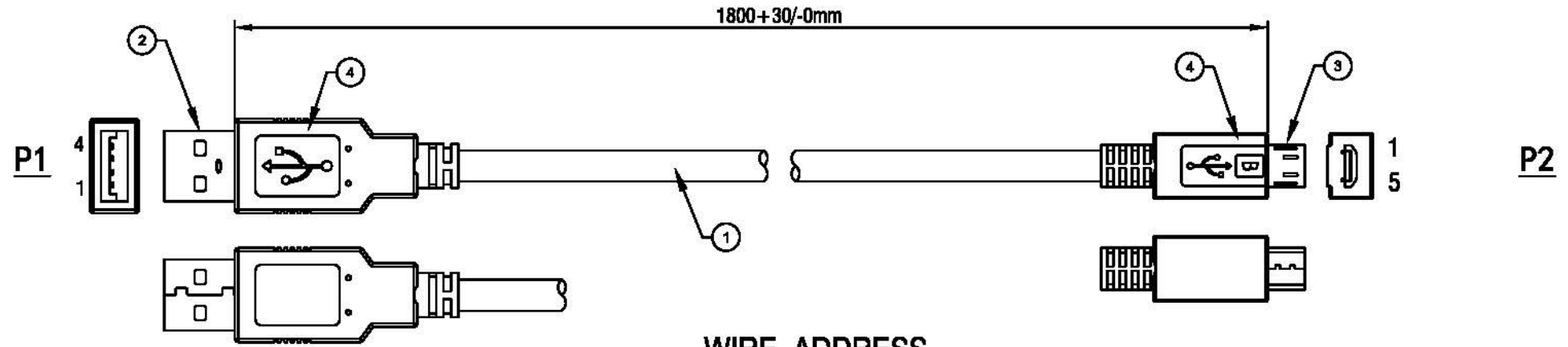


ROLINE USB 2.0 Kabel, USB A ST - Micro USB B ST, 1,8m

ROLINE Câble USB 2.0, USB A mâle - Micro USB B mâle, 1,8m

ROLINE USB 2.0 Cable, A - Micro B, M/M, 1.8 m

RoHS Compliant



WIRE ADDRESS

P1		P2
1	RED	1
2	WHITE	2
3	GREEN	3
4	BLACK	5
Shell		Shell

Electrical Test:

- 1.100% TEST OPEN SHORT MIS-WIRE.
- 2.CONTACT RESISTANCE:3Ω MAX.
- 3.INSULATION RESISTANCE:5MΩ MIN.
- 4.HI-POT:300V DC/10MS.

NUMBER	PRODUCT SPECIFICATIONS	Quantity	Unit
4	45P PVC BLACK		G
3	USB 2.0 Micro B5P MALE(Black Insulator, Shell Nickel Plated,Pin Gold Plated 30U")	1	PCS
2	USB 2.0 A MALE(White Insulator, Shell Nickel Plated,Pin Gold Plated 30U")	1	PCS
1	UL2725 28AWG*1P+24AWG*2C+AB OD:5.0mm BLACK COLOR PVC JACKET	1	PCS

D		
C		
B		
VER.A	REVISE	DATE
Item	11.02.8752	
Draw	Sam	Date: 2014.11.21
Approval		
Duty	F16	

SECOMP