

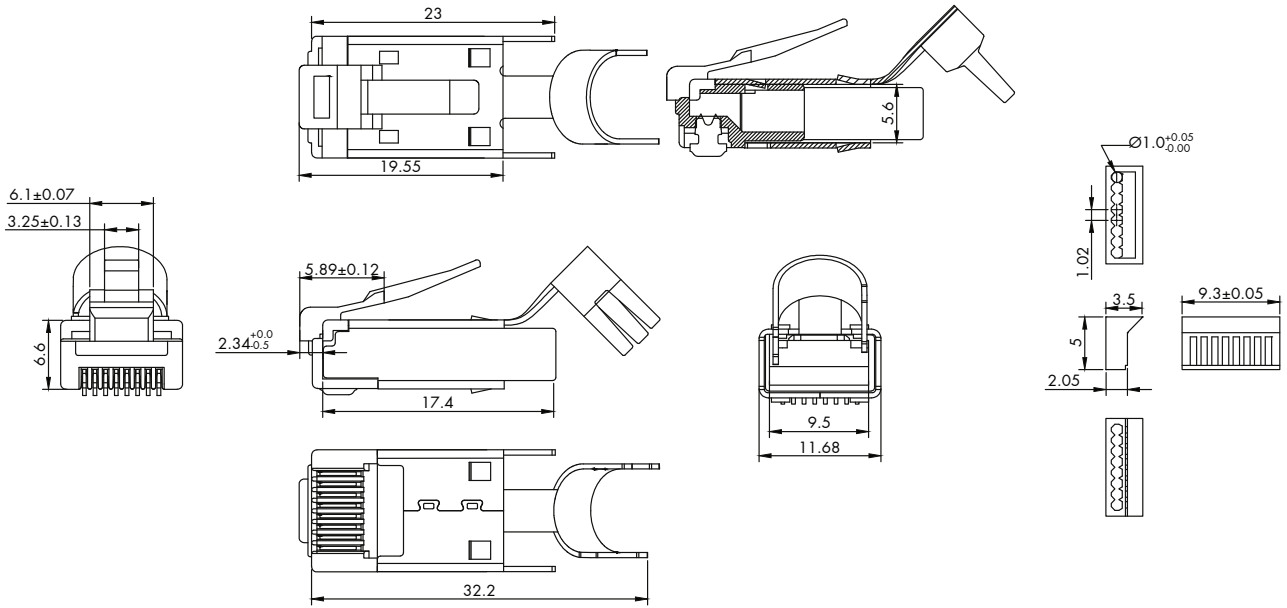
INLINE® CRIMP CONNECTOR CAT.6A RJ45 SHIELDED, 3-PIECE WITH BEND PROTECTION AND THREADING AID

RJ-45 network connector set for Cat.6A patch cables for self-assembly

- Diameter of wire insulation approx. 0.9 - 1.0 mm
- Cable diameter max. 6.95 mm
- 3-part plug, consisting of RJ-45 main plug, threading aid, anti-kink sleeve
- Connector type: RJ-45 8-core
- Contacts 50µ" gold-plated
- Suitable for up to 750 mating cycles
- Can be crimped with Hirose-compatible pliers



Art. Nr.	Colour	Packaging unit	EAN
76006A	Grey	10 Pieces	4043718317073
76006S	Black	10 Pieces	4043718317080
76016A	Grey	100 Pieces	4043718317097
76016S	Black	100 Pieces	4043718317103



③	BOOT	PA66 BLACK	1
②	INSERT	TRANSPARENT PC	1
①	PLUG	SHIELDED RJ45 8P8C, GOLD PLATED PIN 50U" ,NICKEL PLATED SHELL,TRANSPARENT PC ,94V-2	1
NO.	PART NAME	DESCRIPTION	QUANTITY

Electric characteristics

1. Rated current: 125V AC, 1.5A@25°C
2. Contact resistance: 20mΩ Max.
3. Insulation resistance: 500MΩ Min, 100V DC/min.
4. Voltage proof: 1000V AC/1 minute no breakdown.

Mechanical characteristics:

1. Insertion force & withdrawal force: 30N max.
 2. Durability: 750 cycles min
- Operation temperature: -40°C ~ +85°C
 Suitable for patch cable, insulation cable od: 0.9~1.0mm, jacket OD: 6.95mm max.
 Accessory: Installation manual
 ROHS 3 support (EU 2015/863) Compliant

