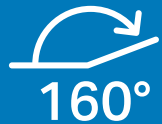


Video Doorbell Camera

2K

Tapo D210 / TD21 / TDB21



Ultra-Wide 160° DFOV

6400mAh
Rechargeable
Battery

Free Person
Detection

Color Night
Vision



// Highlights

No Blind Spots with 160° FOV

A 160° diagonal field of view offers exceptional coverage, ensuring you see MORE from head to toe in a single, uninterrupted sweep.



Free AI Detection

Enjoy free AI detection to identify people and vehicles, and notify you as needed.



// Highlights

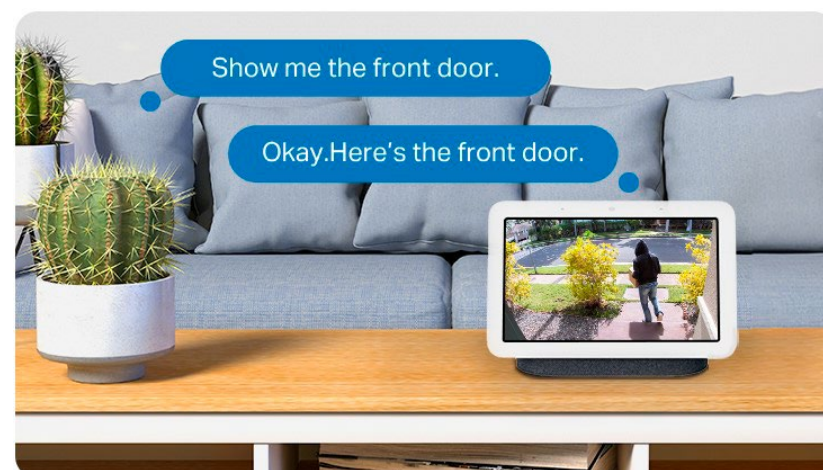
2K 3MP Sees Everything, Day or Night

When it comes to protecting your home, every detail matters. With high-definition 2K 3MP video and image clarity both day and night, no crucial detail will ever be missed.



Works with Alexa and Google

Integrate seamlessly with Alexa and Google Assistant, controlling and monitoring your devices effortlessly with your voice.



// Features

6400mAh Battery Life

The equipped 6400mAh rechargeable battery extends the doorbell's use.

Wire-Free Placement

No wires means you can place the doorbell anywhere you want.

Flexible View with Wedge

Enjoy a flexible view with the included horizontal wedge.

Color Night Vision

Full-Color Night Vision paired with a powerful spotlight unveils your front doorstep in vivid detail.

Two-Way Audio

Communicate in real time through a built-in microphone and speaker.

Quick Response

Respond to your deliveries without saying a word with customizable responses through the Tapo app.

Indoor Chime Provided

Up to 95dB alarm with a variety of ringtones.

Customizable Activity Zones

Set customizable activity zones to receive more accurate notifications.

Anti-Theft Alarm

Be alerted when someone is trying to remove the doorbell.

[†]microSD card needs to be purchased separately.

^{**}Tapo Care needs to be subscribed separately.

[‡]Compatible with Alexa and Google Assistant supported displays. User experience is dependent on the connected services.

[§]Chime can only be used indoors.

Specifications are subject to change without notice. All brands and product names are trademarks or registered trademarks of their respective holders.

©2024 TP-Link

// Specifications

Camera	Image Sensor	1/3" Progressive Scan CMOS Sensor
	Lens	Focal Length: 1.18 mm Aperture: F1.8 Field of View: 160° Diagonal
	Night Vision	850 nm IR LED (25 ft / 7.6 m) Full-Color Night Vision
	Day/Night Switch	IR-Cut Filter with Auto-Switching
	Lighting	Built-in Spotlights
	Interface & Button	1× RESET Button 1× Doorbell Button 1× Anti-Theft Button 1× microSD Card Slot
Chime	Interface & Button	1× RESET/SYNC Button 1× Volume Button 1× Music Button

Video & Audio	Maximum Resolution	2K 3MP (2304 × 1296px)
	Frame Rate	15 fps
	Digital Zoom	10x
Video & Audio	Video Compression	H.264
	Live View	Yes
	Image Enhancement	3DNR WDR
	Audio Input & Output	Built-in Microphone and Speaker
	Audio Communication	Two-Way Audio with Noise Cancellation
Storage	Local Storage	microSD Card Slot on Camera (Up to 512 GB) [†]
	Cloud Storage	Tapo Care Cloud Storage Services (Subscription required)**
Detection & Notification	AI Detection	Motion Detection Person Detection Vehicle Detection
	Activity Zones	Yes
	Output Notification	System Notification System Notification with Snapshot (Tapo Care Services)

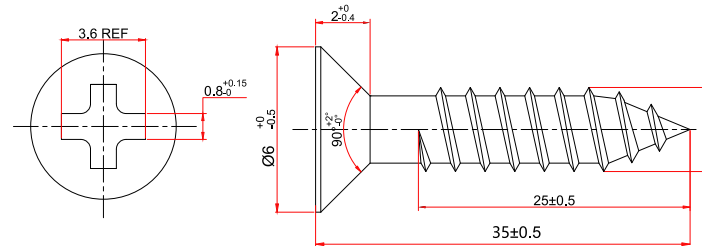
Network	Network Connectivity	Connect via Wi-Fi
	Wireless Connectivity	IEEE 802.11b/g/n, 2.4 GHz Wi-Fi
	Transmission Rate	11b: 11 Mbps 11g: 54 Mbps 11n: 65 Mbps
	Protocol	TCP/IP, DHCP, ICMP, DNS, NTP, HTTPS, TCP, UDP
Security	Security	On-Device Machine Learning 128-bit AES Encryption with SSL/TLS WPA/WPA2-PSK
Power	Power Source	6400 mAh Built-in Rechargeable Lithium-ion Battery Optional Solar Panel: Tapo A201 (Sold separately)
	Input Voltage	Doorbell Battery Pack Adapter Input: 100-240 V, 50/60 Hz
	Output Voltage	Doorbell Battery Pack Adapter Output: 5.0 V, 1.0 A
	Power Cord Length	Doorbell Battery Pack Adapter Cord Length: 0.5 m
	Typical Power Consumption	Doorbell Typical Power Consumption: 1.05 W
	Maximum Power Consumption	Doorbell Max Power Consumption: 1.89 W

General	Certifications	CE, RoHS, RCM,R-NZ,FCC, EAC, Triman, UKCA
	Smart Integration	Google Assistant, Amazon Alexa
	Weather Resistance	IP65
	Mounting Options	Stick to a Wall Mount to a Wall
	Operating Temperature	-20°C ~45°C
	Storage Temperature	-40°C ~60°C
	Operating Humidity	10%~90% RH, Non-condensing
	Storage Humidity	5%~90% RH, Non-condensing

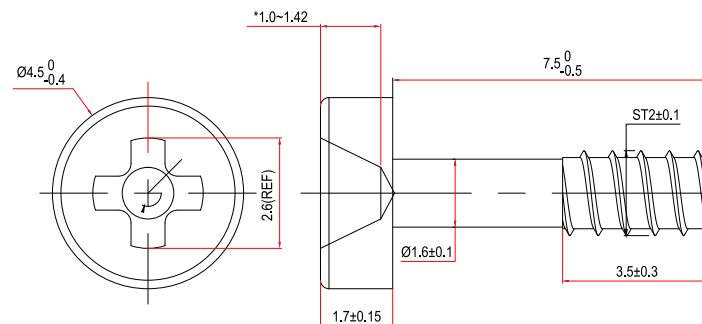
General

Screw Size

Mounting screw size:



microSD card slot cover screw size:



Dimensions

Doorbell Dimensions: 5.91 × 1.97 × 1.51 in (150 × 50 × 38.4 mm)

Chime Dimensions:

US/JP Version: 2.87 × 1.85 × 1.71 in (73 × 46.9 × 43.5 mm)

EU Version: 2.87 × 2.15 × 1.89 in (73 × 54.6 × 48 mm)

UK Version: 2.87 × 2.45 × 1.71 in (73 × 62.3 × 43.5 mm)

KR Version: 2.87 × 2.46 × 1.71 in (73 × 62.4 × 43.5 mm)

AU Version: 2.87 × 2.01 × 1.71 in (73 × 51 × 43.5 mm)

<p>General</p>	<p>Package Contents</p>	<p> Tapo D210 Video Doorbell Camera × 1 Tapo Doorbell Chime × 1 Mounting Bracket × 1 Horizontal Mounting Wedge × 1 Mounting Template × 1 3M Adhesive × 1 Foam Pad × 1 Mounting Screws × 3 Mounting Anchors × 3 Mounting Wedge Screws × 5 Doorbell Detaching Pin × 1 Quick Start Guide × 1 USB Adapter Cable × 1 </p>
-----------------------	-------------------------	--