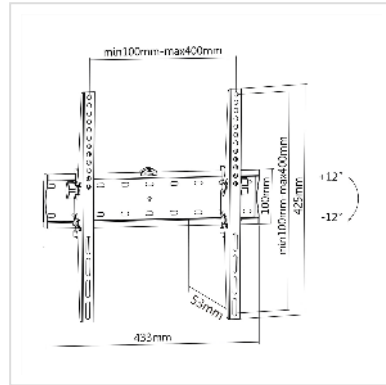


VALUE TV wall mount, 27mm wall distance, 40kg load capacity, tiltable, black

Product No.	17.99.1219
Manufacturer	VALUE
Manufacturer No.	17.99.1219
EAN (single piece)	7630049616233



Stable and tiltable TV wall mount with just 27mm wall distance - the load capacity is up to 40kg and the mount supports maximum VESA 400x400.

- For screens from 32" to 55" (max. VESA 400x400)
- Load capacity up to 40kg
- Tiltable suspension
- Very small wall distance of 27mm
- Securing against unintentional loosening of the mounting hooks
- Integrated spirit level

Technical specifications

Manufacturer	VALUE
Product group	LCD-Monitor arms
Product type	TV Wall Mount
Colour	black
Load capacity	40 kg
Fixing	Wall mount
Adjustments	Adjustable spring gauge
Inclinable	Yes
Rotatable	No

Wall distance	2.7 cm
Number of monitors	1
Max. Screen diagonal (inch)	55 inch
Min. Screen diagonal (inch)	32 inch
VESA 200 x 200 mm	Yes
VESA 300 x 300 mm	Yes
VESA 400 x 200 mm	Yes
VESA 400 x 400 mm	Yes
Material group	metal
Technical particularity	tilting
Weight	1482.2 g
Height of packaging (single piece)	100 mm
Width of packaging (single piece)	60 mm
Depth of packaging (single piece)	450 mm
Package weight (single piece)	1.6 kg