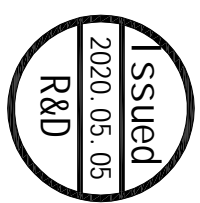
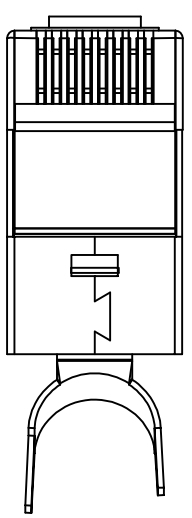
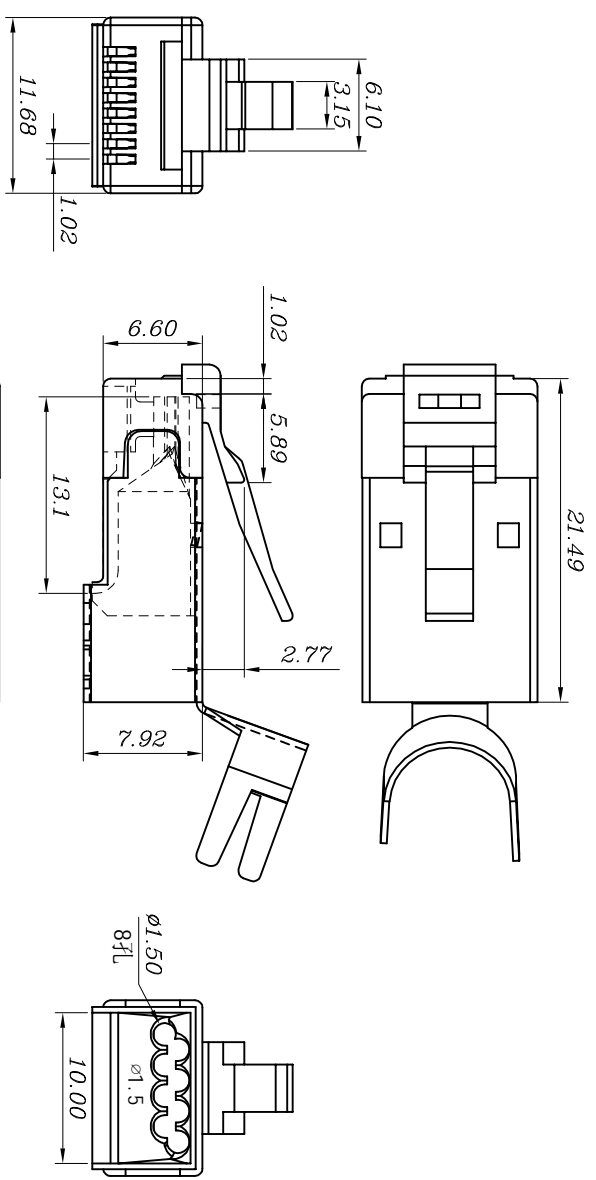


REV	DATE	MODIFICATION	DRAWN
	2018/06/25		

SPECIFICATIONS

1. ELECTRICAL:
 UL APPLICATIONS: 250 VOLTS AC MAX. AT 2 AMPS.
 DIELECTRIC WITHSTANDING VOLTAGE: 1000 VOLTS AC, 60 SEC.
 INSULATION RESISTANCE: 500 MQ.
 CONTACT RESISTANCE: 20mΩ MAX.
 OPERATING AMBIENT TEMPERATURE: -20°C ~ 75°C.
2. MECHANICAL:
 STRAIN RELIEF: 20°POUND MIN.
 DURABILITY: 1200 MATING CYCLES.
3. MATERIAL:
 HOUSING: POLYCARBONATE: UL94V-0 OR UL94V-2.
 COLOR: TRANSPARENT OR OTHER COLOR ARE AVAILABLE.
 CONTACT BLADE: COPPER ALLOY.
 GOLD PLATING: 3μ"-50μ", ARE AVAILABLE.
 SHIELDED SHELL: COPPER ALLOY.
4. USAGE:
 SUITABLE FOR STRANDED & SOLID WIRE 23AWG ~ 26 AWG.
 (It can be used for the wire OD from Ø 1.35 ~ Ø1.45)



BLADE:	EB	YB	Z	AE	AB	EC
Drawing						
Mark				✓		

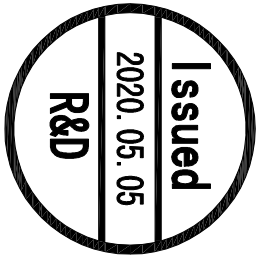
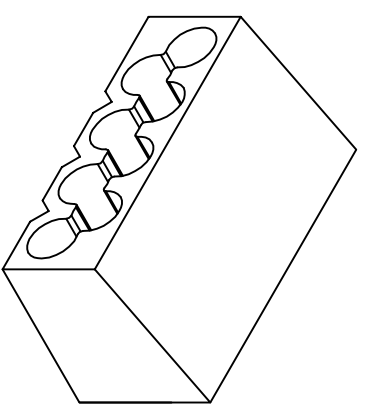
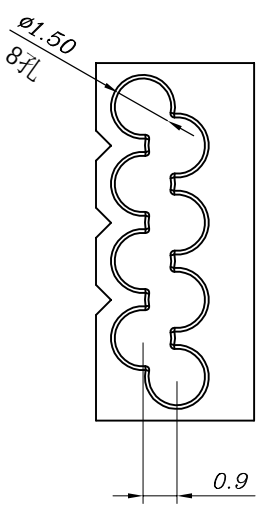
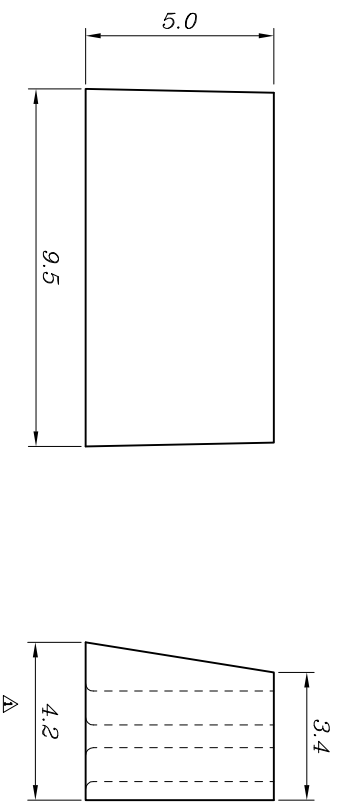
GOLD PLATING	3Mu"	3u"	6u"	15u"	30u"	50u"	CABLE TYPE	ROUND	FLAT
						✓			
Mark							Mark	✓	

SECCOMP

DIMENSION IN mm (Inch)	TOLERANCE UNLESS OTHERWISE SPECIFIED	MATERIAL	DWG NO.
.X±0.20	.X°±5°	PC	PLUG-154E-0002
.XX±0.10	.XX°±2°	TITLE	21.17.3063

APPROVAL	CHECKED	DRAWN	SCALE	SHEET
		Cathyli	2/1	1/1
		PROJ.		REV
				A

REV	DATE	MODIFICATION	DRAWN
D	2017/06/15		Zach



		DIMENSION IN mm (Inch)	MATERIAL	DWG NO	SCALE		SHEET
		TOLERANCE UNLESS OTHERWISE SPECIFIED	PC	PLUG INSERT-040A	5/1	1/1	
X±0.20	.X°±5°	TITLE	21.17.3063				
.XX±0.10	.XX°±2°	DRAWN		PRCL	REV		
审核 APPROVAL	核对 CHECKED	Gathyl Li		PRCL	REV		
Carine	Zach						

1 2 3 4 5 6 7

A B C D

1 2 3 4 5 6 7

ST-DR-009A