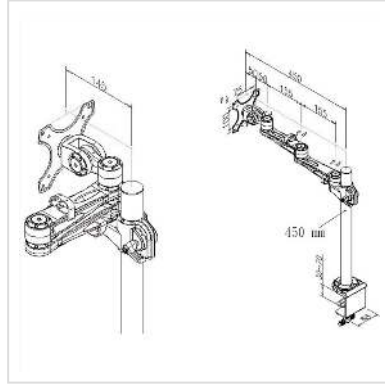


VALUE Single LCD Monitor Arm, 4 Joints, Desk Clamp

Product No.	17.99.1132
Manufacturer	VALUE
Manufacturer No.	17.99.1132
EAN (single piece)	7611990185702



- Aluminum two-step arm with four joints
- With a C-clamp for desk mount up to 8 cm thickness
- The height of the LCD monitor is adjustable
- Meets VESA 75 (75 x 75 mm) or VESA 100 (100 x 100 mm)
- Load capacity: up to 10 kg

Technical specifications

Manufacturer	VALUE
Product group	LCD-Monitor arms
Product type	Monitor Arms, Desk Clamp
Colour	grey
Load capacity	10 kg
Quantity of pivots	5
Fixing	desk clamp
Maximal arm length	450 mm
Adjustments	Adjustable spring gauge
Inclinable	Yes
Height adjustable	Yes
Rotatable	Yes
Number of monitors	1

VESA 75 x 75 mm	Yes
VESA 100 x 100 mm	Yes
Material group	metal
Technical particularity	vertically adjustable
Weight	2954 g
Height of packaging (single piece)	140 mm
Width of packaging (single piece)	150 mm
Depth of packaging (single piece)	600 mm
Package weight (single piece)	3.571 kg