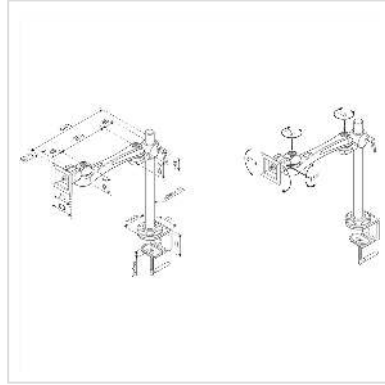


# ROLINE Single LCD Monitor Arm, 3 Joints, Desk Clamp

<b>Product No.</b>	17.03.1133
<b>Manufacturer</b>	ROLINE
<b>Manufacturer No.</b>	17.03.1133
<b>EAN (single piece)</b>	7611990155415



- No more wasted desk space, using the desk clamp frees up extra room on your desk for more important things
- Stylish design to fit perfectly with the modern office or study
- Free to adjust the panel angle and height
- VESA 75 (75x75 mm) or VESA 100 (100x100 mm)

## Technical specifications

Manufacturer	ROLINE
Product group	LCD-Monitor arms
Product type	Monitor Arms, Desk Clamp
Colour	silver
Load capacity	10 kg
Quantity of pivots	3
Fixing	desk clamp
Maximal arm length	440 mm
Adjustments	Adjustable spring gauge
Height adjustable	Yes
Number of monitors	1
VESA 75 x 75 mm	Yes
VESA 100 x 100 mm	Yes

Material group	metal
Technical particularity	vertically adjustable
Weight	4162.9 g
Height of packaging (single piece)	130 mm
Width of packaging (single piece)	240 mm
Depth of packaging (single piece)	640 mm
Package weight (single piece)	5.054 kg