



Datenblatt - Fiche technique - Data sheet

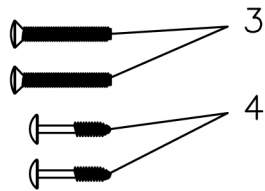
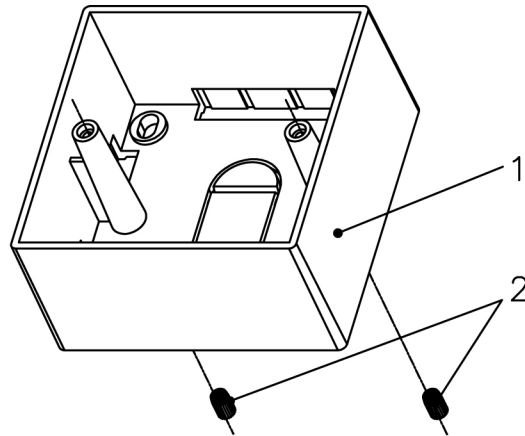
**25.16.8484**



Aufputzrahmen

Boîtier module

Surface Wall Mount Frame

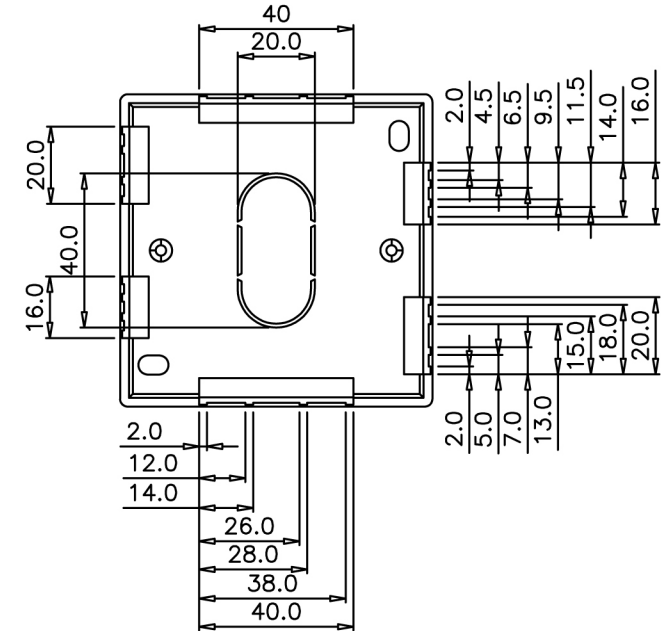
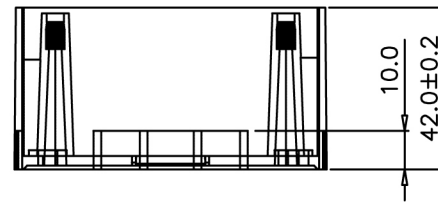
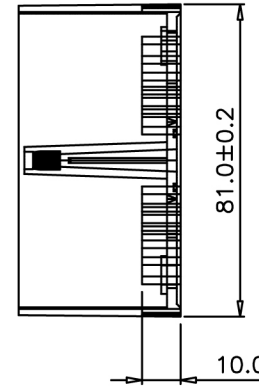
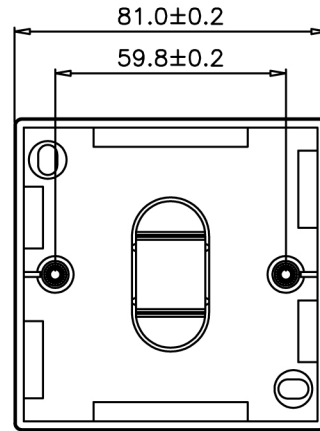


SCALE 1/2

Specification :

Material :

- 1. Housing : ABS, UL 94V-0.
- 2. Screw nut :  $\phi 5.5 \times 6.5$ mm.
- 3. Screw : M3.5X22.0X7.0mm.
- 4. Screw : M3.5X19.0X7.5mm.



GENERAL TOLERANCE OF DIMENSIONS X.XXX ±0.005 X.XX ±0.05 X.X ±0.1	DRAWING	05.DEC.2008	CXC	<b>ROTRONIC CO., LTD</b>	
	CHECK	05.DEC.2008	JANE		
	APPROVAL	05.DEC.2008	JAIMY		
		DATE	NAME	ITEM NO.:	
	SCALE	1/2 (A4)	UNIT	mm	DES.: European Surface Mounted Box
	DRAWING NO. JE306-XA(S01)				
	DRAWING CLASSIFICATION		S	SHEET	1 OF 1

