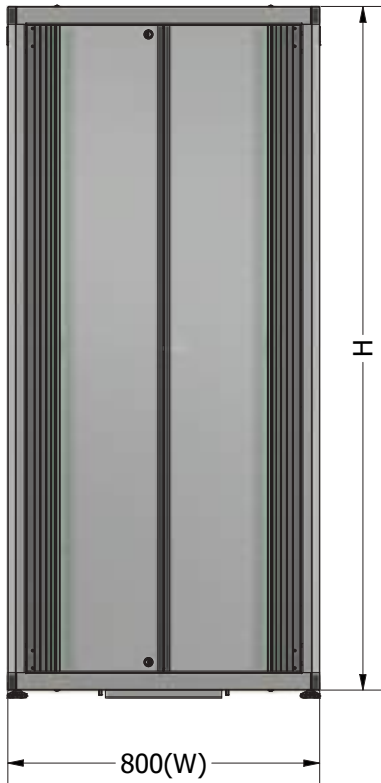




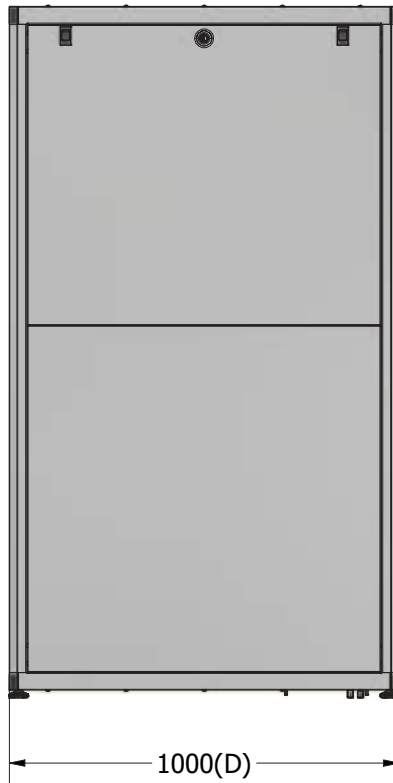


CASTOR CAN BE PREFERRED AS AN OPTION.

Front View



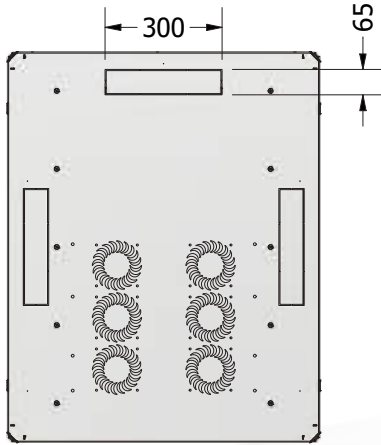
Side View



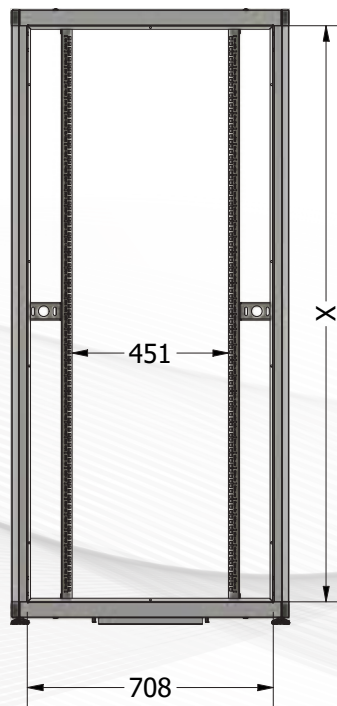
Rear View



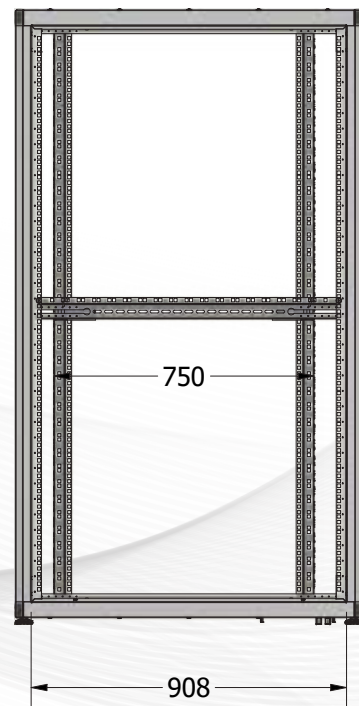
Top View



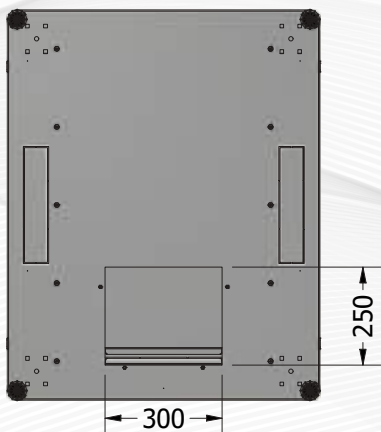
Front View



Side View



Bottom View



MATERIAL: 1.2 mm Steel / Powder Coating RAL9005 / 7035				
Load Capacity: 1000kg				
STANDARD TYPE PRODUCT CODES	DIMENSIONS(mm)			
Size	W	H	D	X
MR.GTN12U81.XX	800mm	684mm	1000mm	594mm
MR.GTN16U81.XX	800mm	861mm	1000mm	771mm
MR.GTN20U81.XX	800mm	1039mm	1000mm	949mm
MR.GTN22U81.XX	800mm	1128mm	1000mm	1038mm
MR.GTN26U81.XX	800mm	1306mm	1000mm	1216mm
MR.GTN32U81.XX	800mm	1573mm	1000mm	1483mm
MR.GTN36U81.XX	800mm	1750mm	1000mm	1660mm
MR.GTN40U81.XX	800mm	1928mm	1000mm	1838mm
MR.GTN42U81.XX	800mm	2017mm	1000mm	1927mm
MR.GTN46U81.XX	800mm	2195mm	1000mm	2105mm
PRODUCT CODES WITH %63 PERFORATED DOOR OPTIONS AND DESCRIPTION				
XX_PRF63	Front Single Perforated-Rear Double Perforated			
XX_OPRF63	Front Single Perforated-Rear Solid Metal (W600 Single / W800 Double)			
XX_ODPRF63	Front Double Perforated-Rear Solid Metal (W600 Single / W800 Double)			
XX_APRF63	Rear Single Perforated-Front Glass (W600 Single / W800 Double)			
XX_ADPRF63	Rear Double Perforated-Front Glass (W600 Single / W800 Double)			
XX_OADPRF63	Front Double Perforated-Rear Double Perforated			
XX_OAPRF63	Front Single Perforated-Rear Single Perforated			
XX_ODAPRF63	Front Double Perforated-Rear Single Perforated			
XX_NOPRF63	Angled Front Perforated-Rear Solid Metal (W600 Single / W800 Double)			
XX_NPRF63	Angled Front Perforated-Rear Double Perforated			
PRODUCT CODES WITH %80 PERFORATED DOOR OPTIONS				
XX_PRF80	Front Single Perforated-Rear Double Perforated			
XX_OPRF80	Front Single Perforated-Rear Solid Metal (W600 Single / W800 Double)			
XX_ODPRF80	Front Double Perforated-Rear Solid Metal (W600 Single / W800 Double)			
XX_APRF80	Rear Single Perforated-Front Glass (W600 Single / W800 Double)			
XX_ADPRF80	Rear Double Perforated-Front Glass (W600 Single / W800 Double)			
XX_OADPRF80	Front Double Perforated-Rear Double Perforated			
XX_OAPRF80	Front Single Perforated-Rear Single Perforated			
XX_ODAPRF80	Front Double Perforated-Rear Single Perforated			
XX_NOPRF80	Angled Front Perforated-Rear Solid Metal (W600 Single / W800 Double)			
XX_NPRF80	Angled Front Perforated-Rear Double Perforated			

