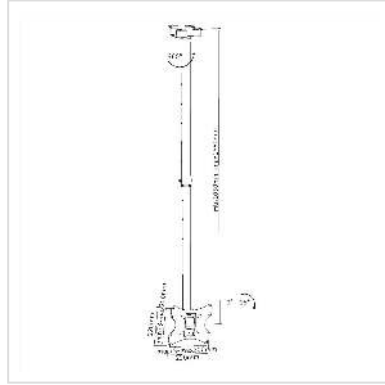


# VALUE LCD/TV Ceiling Mount, 50kg

<b>Product No.</b>	17.99.1217
<b>Manufacturer</b>	VALUE
<b>Manufacturer No.</b>	17.99.1217
<b>EAN (single piece)</b>	7611990116119



- Ceiling mount for a monitor/TV up to 42"
- Load capacity: up to 50 kg
- Meets VESA 75 x 75, 100 x 100, 100 x 200 ou 200 x 200 mm
- Arm length: 105 - 156 cm
- -15° tilt; 360° swivel

## Technical specifications

Manufacturer	VALUE
Product group	LCD-Monitor arms
Product type	Monitor Arms, Wall Mount
Colour	black
Scope of delivery	Supporting arm
Load capacity	50 kg
Quantity of pivots	1
Fixing	Wandbefestigung
Maximal arm length	1560 mm
Adjustments	Adjustable spring gauge
Inclinable	Yes
Height adjustable	Yes
Rotatable	Yes

Number of monitors	1
Max. Screen diagonal (cm)	106 cm
Max. Screen diagonal (inch)	42 inch
VESA 75 x 75 mm	Yes
VESA 100 x 100 mm	Yes
VESA 200 x 100 mm	Yes
VESA 200 x 200 mm	Yes
Material group	metal
Weight	4675.4 g
Height of packaging (single piece)	90 mm
Width of packaging (single piece)	860 mm
Depth of packaging (single piece)	230 mm
Package weight (single piece)	4 kg