



Datenblatt - Fiche technique - Data sheet

21.17.3002



ROLINE RJ-45 Kupplung geschirmt, Kat. 5e

ROLINE Coupleur RJ-45 blindé, Cat. 5e

ROLINE Cat.5e Modular Coupler, shielded, silver

1

2

3

4

5

6

A

A

B

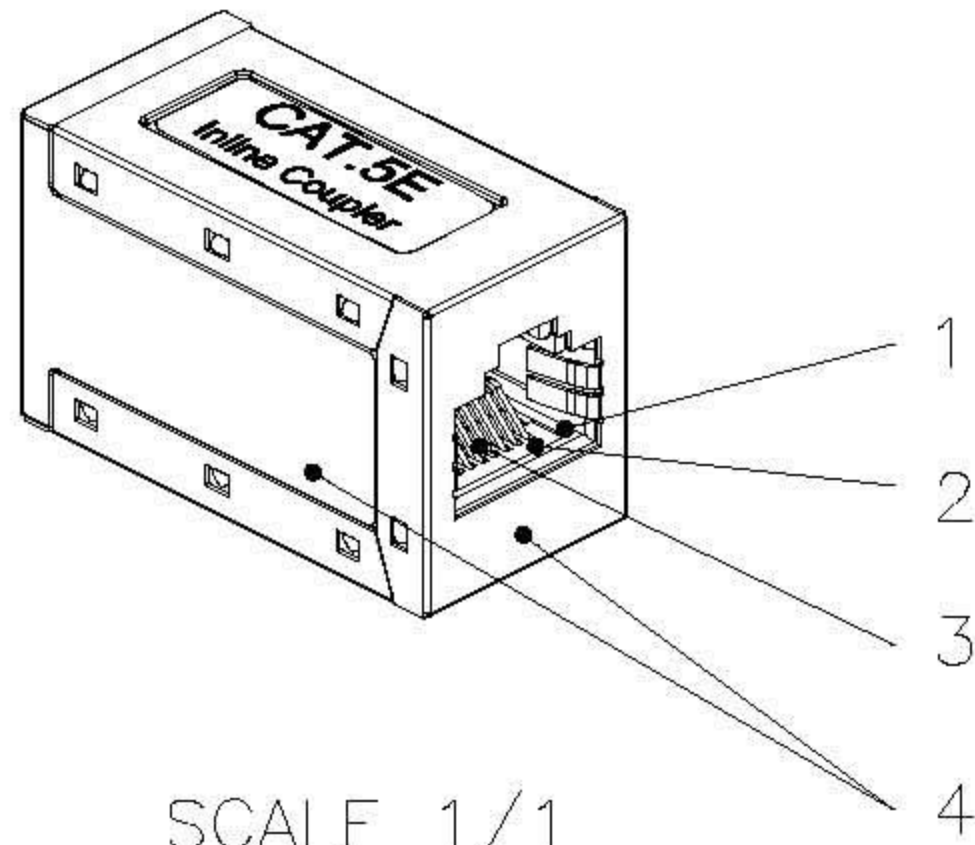
B

C

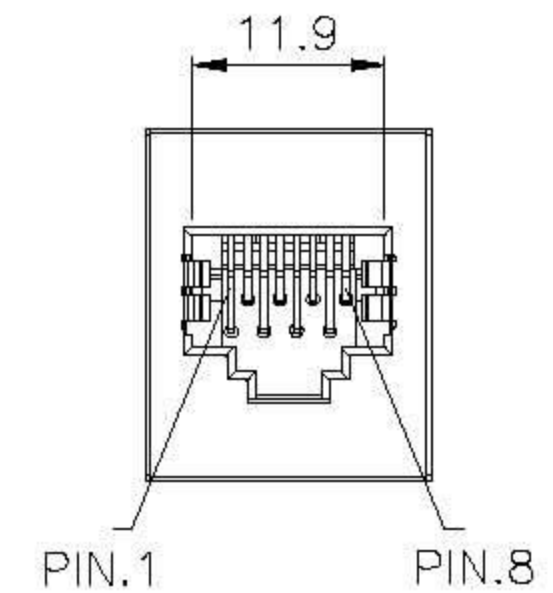
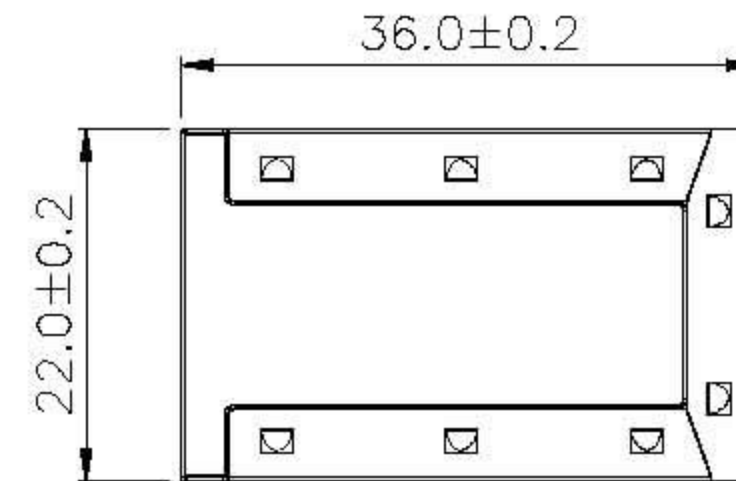
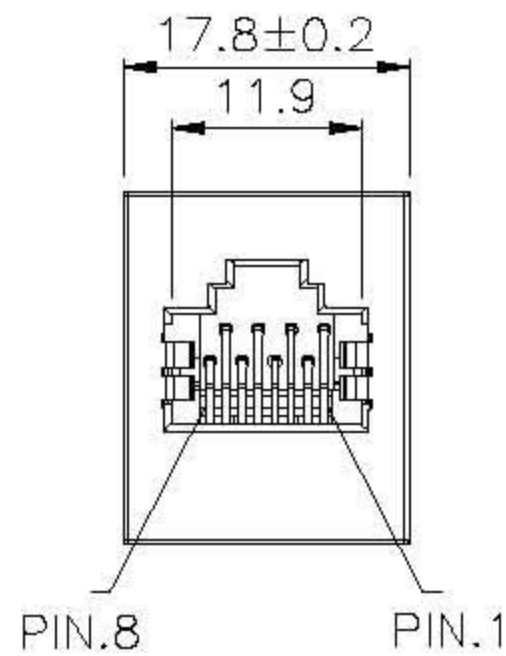
C

D

D



SCALE 1/1



Specification :

Material :

- 1. Plastic Housing : ABS + PC, UL 94V-0.
- 2. Jack Bracket Set : Polycarbonate, UL 94-HB, Transparent color.
- 3. RJ45 Jack Contact material & finished :
 - 3-1. Phosphor Bronze with 50-60 micro-inch Nickel plated.
 - 3-2. Contact area : Min. 3 mm 50 micro-inch Gold plated.
- 4. Shield : Bronze with Nickel Plated.

Performance :

- a. Insertion Force : 900 gms for 8 contacts.
- b. Retention Strength : 7.7 kgs between Jack and Plug.
- c. Operation Temperature : -40°C to 80°C.
- d. Durability Jack : 750 cycles Plug-Jack mating and unmating test, insertion cycles at 20 cycles/minute max. Contact resistance test per 100 cycles.
- e. The Cat.5e performance is in compliance with the ANSI/TIA/EIA 568 B.2 standard.

GENERAL TOLERANCE OF DIMENSIONS X.XXX ±0.005 X.XX ±0.05 X.X ±0.1	DRAWING	11.JAN.2007	Michelle	Rotronic Co., Ltd.	
	CHECK	12.JAN.2007	Jaimy		
	APPROVAL	12.JAN.2007	Jaimy		
		DATE	NAME	ITEM NO.: 21.17.3002	
	SCALE	1/1 (A4)	UNIT	mm	DES.: CAT.5e Inline Coupler, Shield
	DRAWING NO. JE315AS-CE(SA3)				A3
	DRAWING CLASSIFICATION		S	SHEET 1 OF 1	

1

2

0

3

4

10cm

5

6