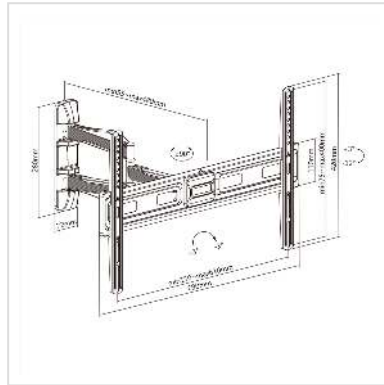


# VALUE Solid Articulating Wall Mount TV Holder, up to 177.8cm (37" - 70")

<b>Product No.</b>	17.99.1209
<b>Manufacturer</b>	VALUE
<b>Manufacturer No.</b>	17.99.1209
<b>EAN (single piece)</b>	7630049625068



## Flexibly adjustable wall mount for TV monitors with diagonals from 37" to 70".

- Single-arm full-motion wall mount for TVs (LED, LCD flat panel TVs) up to 177,8cm (37" - 70")
- Max. weight: 35 kg
- This mount extends out 480mm from wall and allows TVs to turn left or right
- Full motion allows maximum flexibility - tilts and swivel your TV for easy viewing from any seat in a room
- Post-installation level adjustment allows the TV to "roll" up to 3° clockwise and counterclockwise to ensure it's perfect level
- Integrated cable management system keeps cables organized and protected
- Wide wall plate fits for stud installation

### Technical Data:

- Material: Steel
- Product weight: 4 kg
- Recommended Screen Size: up to 177.8 cm (37"-70")
- Installation: Solid wall, Double Stud
- Max. Load Capacity: 35kg
- Max. Hole Pattern: 600 x 400mm
- VESA Standard: 200x200, 400x200, 300x300, 400x300, 400x300, 600x400
- Max. VESA: 600 x 400
- Tilt: -12°
- Level

## Technical specifications

Manufacturer	VALUE
Product group	LCD-Monitor arms
Product type	TV Wall Mount
Colour	black
Load capacity	35 kg
Fixing	Wall mount
Adjustments	Adjustable spring gauge
Inclinable	yes
Rotatable	yes
Number of monitors	1
Max. Screen diagonal (cm)	177.8 cm
Max. Screen diagonal (inch)	70 inch
Min. Screen diagonal (cm)	94 cm
Min. Screen diagonal (inch)	37 inch
VESA 200 x 200 mm	yes
VESA 300 x 200 mm	yes
VESA 300 x 300 mm	yes
VESA 400 x 200 mm	yes
VESA 400 x 300 mm	yes
VESA 400 x 400 mm	yes
VESA 600 x 400 mm	yes
Material group	Steel
Weight	3272.7 g
Height of packaging (single piece)	80 mm

---

Width of packaging (single piece)	320 mm
--------------------------------------	--------

Depth of packaging (single piece)	750 mm
--------------------------------------	--------

Package weight (single piece)	4 kg
----------------------------------	------