



VGA Converter

(Micro-HDMI, HDMI, Mini-HDMI)



Manual

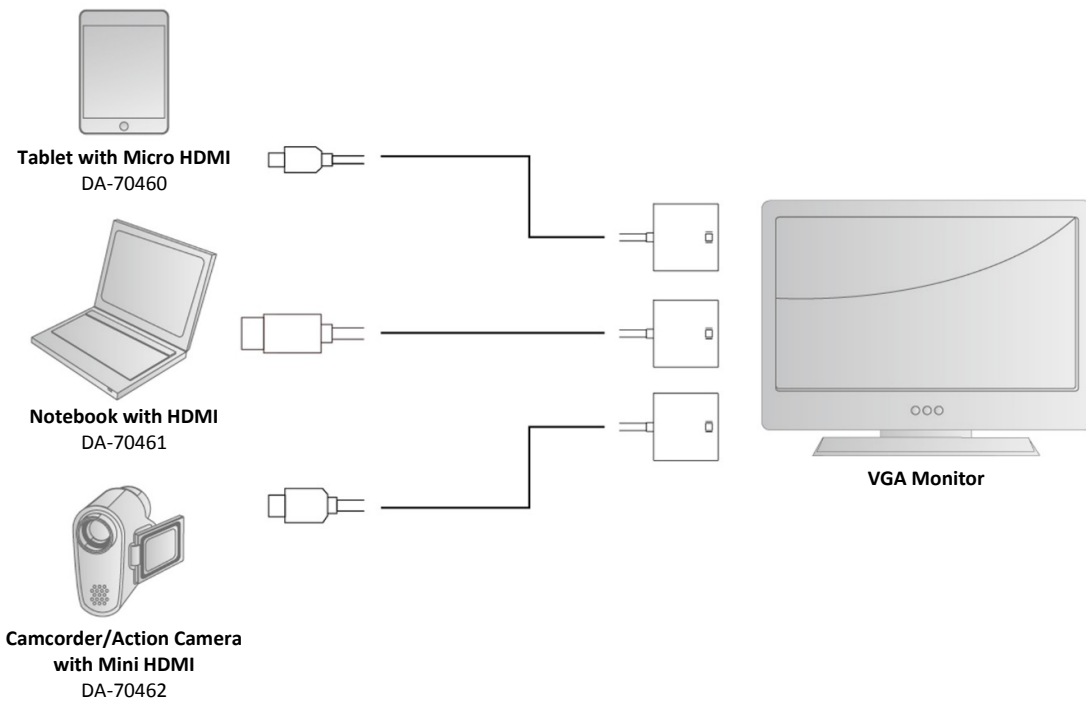
DA-70460 • DA-70461 • DA-70462

The DIGITUS Video converter (DA-70460, DA-70461, and DA-70462) convert the digital HDMI signals into analog VGA signals. Modern playback devices, such as notebooks, Blu-ray players, DVD players, action cameras, game consoles, etc., can be connected with older VGA monitors or projectors. The converters are also equipped with a 3.5 mm audio jack. Any existing audio signal is converted in parallel. This enables additional audio playback by connecting your speakers or surround sound system.

Features:

- DA-70460 Input: Micro-HDMI Type D
- DA-70461 Input: HDMI Type A
- DA-70462 Input: Mini-HDMI Type C
- Output: VGA/3.5mm audio
- Converts video and audio signals from HDMI to VGA
- Use modern devices with older analog VGA monitor
- No software or driver installation required
- VGA resolution: 10 bit resolution with up to 165 MHz pixel rate (1,080 pixels and UXGA)
- Compatible with HDMI 1.4a
- Color: Black

Application Diagram:



Package Content:

- VGA converter
- Manual

Hereby ASSMANN Electronic GmbH, declares that this device is in compliance with the requirements of Directive 2014/30/EU and the Directive 2011/65/EU for RoHS compliance. The complete declaration of conformity can be requested by post under the below mentioned manufacturer address.

Warning:

This device is a class B product. This equipment may cause some radio interference in living environment. In this case, the user can be requested to undertake appropriate measures to prevent interference.

www.assmann.com
Assmann Electronic GmbH
Auf dem Schüffel 3
58513 Lüdenscheid
Germany

