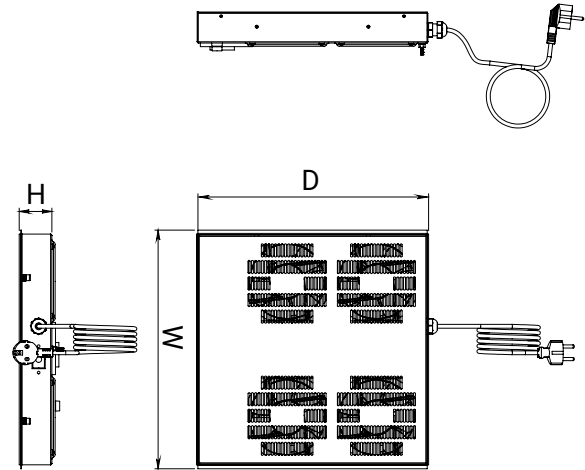


## FAN MODULE FOR INORAX-AL SERIES

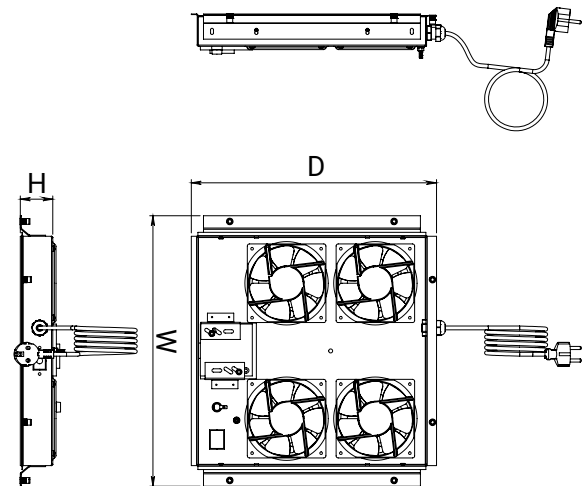


<b>Operating Voltage</b>	AC 220 / 240 Volts 50/60 Hz
<b>Standards</b>	Conforms to IEC 297-1
<b>Air Flow</b>	85 / 90 CFM
<b>Noise</b>	42 / 49 dB (A)
<b>Fan Speed</b>	2600 / 2900 rpm
<b>Material</b>	1,5 mm Steel
<b>Color</b>	RAL 7035 and RAL 9005
<b>Finish</b>	Electrostatic Powder Paint
<b>Packaging</b>	One piece in a box

H (mm)	D (mm)	W (mm)	Number of Fans	Weight (kg)	Part No
49	373	411	2	3,76	CPA-X-2001
49	373	411	4	4,81	CPA-X-2002
49	373	411	6	6,74	CPA-X-2003

- 2-4 Fan trays can only be used in 600-800 mm depth cabinets, not for 1000 mm and bigger depth cabinets.
- 6 Fan tray can only be used in 1000 mm and bigger depth cabinets, not for 600-800 mm depth cabinets

## FAN MODULE FOR INORAX-ST SERIES



<b>Operating Voltage</b>	AC 220 / 240 Volts 50/60 Hz
<b>Standards</b>	Conforms to IEC 297-1
<b>Air Flow</b>	85 / 90 CFM
<b>Noise</b>	42 / 49 dB (A)
<b>Fan Speed</b>	2600 / 2900 rpm
<b>Material</b>	1,5 mm Steel
<b>Color</b>	RAL 7035 and RAL 9005
<b>Finish</b>	Electrostatic Powder Paint
<b>Packaging</b>	One piece in a box

H (mm)	D (mm)	W (mm)	Number of Fans	Weight (kg)	Part No
49	373	411	2	2,90	CSA-X-2001
49	373	411	4	3,95	CSA-X-2002

X (Color code): 7:RAL 7035 Light Grey, 9:RAL 9005 Black