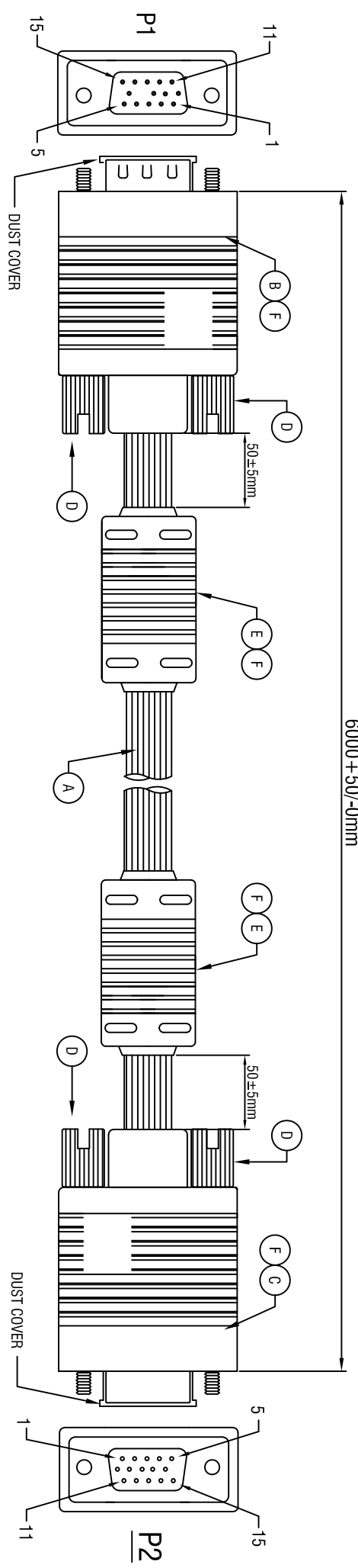
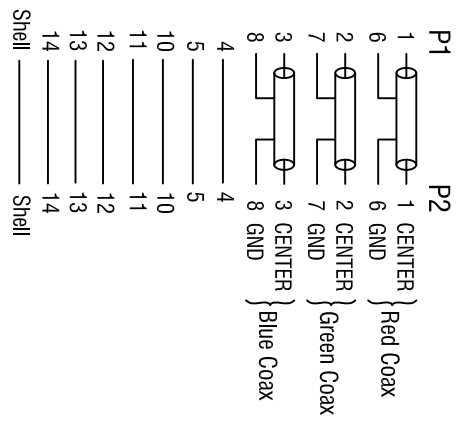


6000 ±50/-0mm



**WIRE ADDRESS**



- Electrical Test:
1. 100% TEST OPEN SHORT MIS-WIRE.
  2. CONTACT RESISTANCE:3Ω MAX.
  3. INSULATION RESISTANCE:5MΩ MIN.
  4. HI-POT:300V DC/10MS.
  5. Real Test Passed 1280\*1024.
  6. Real Test Not Twinkling, Double Vision and Decolor.

F		45P BLACK PVC	G		
E		Ferrite Core (17.5*28.5*9.5mm)	2	ROLINE HQ VGA Cable with Ferrite, HD15 M - HD15 F, 6.0mm	
D		HD37.7 Screw	4	Item 11.04.5356	
C		HDB15P FEMALE (PIN9 OUT, Black Insulator, Nickel Plated)	1	Draw <i>Make</i> Date: 2020.08.18	
B		HDB15P MALE (PIN9 OUT, Black Insulator, Nickel Plated)	1	Approval	
A		UL2919,28# 3COAX+28#*7C+ADB, OD=8.0mm BLACK DENTATE PVC JACKET.	1	Duty F16 BOM.NO.:13922	
NUMBER		PRODUCT SPECIFICATIONS		Sample NO.	
1		2		4	

