



Datenblatt - Fiche technique - Data sheet

11.04.5795



ROLINE Mini DisplayPort Kabel, Mini DP-UHDTV, ST/ST, schwarz, 1,0 m

ROLINE Câble Mini DisplayPort, Mini DP - UHDTV, M/M, noir, 1,0 m

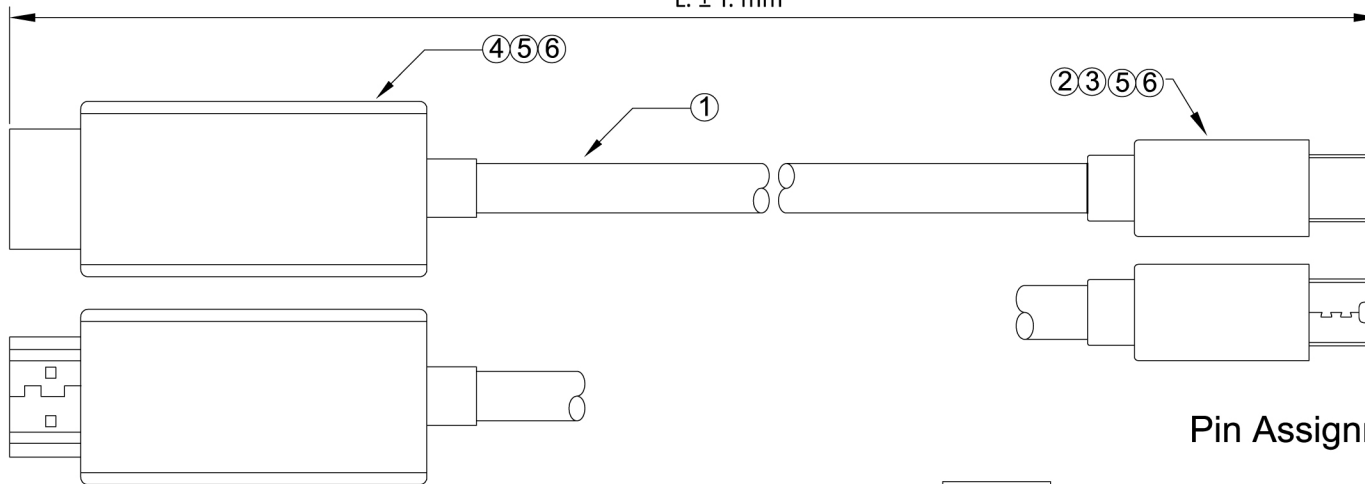
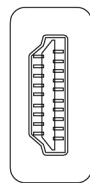
ROLINE Mini DisplayPort Cable, Mini DP-UHDTV, M/M, black, 1.0 m

RoHS Compliant

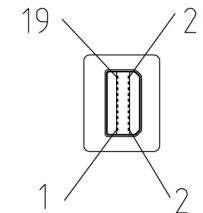
L. ± T. mm

P1

HDMI MALE



MINI DISPLAYPORT PLUG



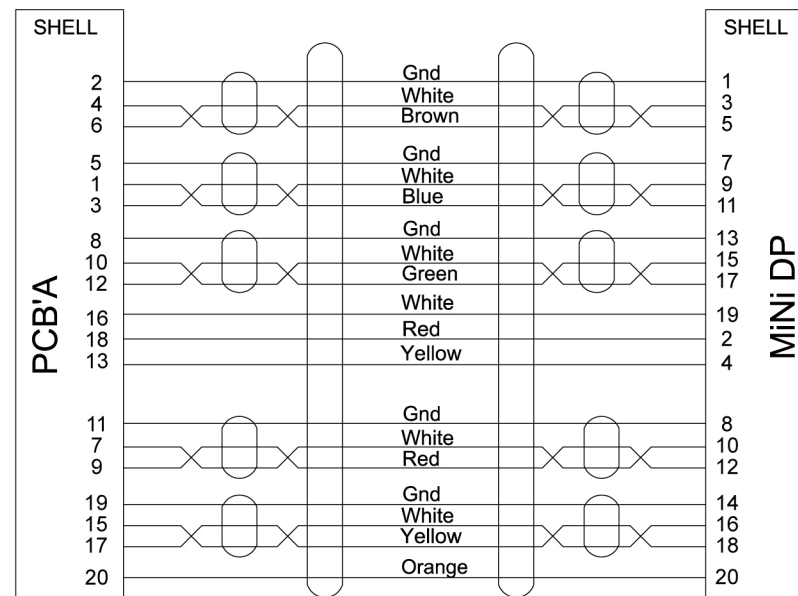
P2

Pin Assignment

Table :

P/N	Length
11.04.5795	1000 ± 20 mm
11.04.5796	2000 ± 30 mm
11.04.5797	3000 ± 40 mm

Test requirement:
Resolution:4K*2K@60HZ



- 1 Cable [30AWG(7/0.1T)x1P+D+AL+MYLAR]x5P+30AWG(7/0.1T)x5C+F+ADB16/5/0.12(AL) 。 Jacket : PVC, Black 。 O.D.=6.0±0.20mm 。
- 2 Mini DP Connector Male, Solder, Gold Plated
- 3 Shell Mini DP : ABS, Black
- 4 HDMI Connector Mini DP to HDMI PCB'A, Gold Plated
Shell : ABS, Black
- 5 PE LDPE
- 6 PVC 60P, Black

REV.	DATE	CONTENTS OF CHANGE	DESIGNER	TOL ±	APPROVAL	CHECK	DRAWING	DESIGN	DRAWING NAME	ROLINE Mini DisplayPort Cable, MiniDP-UHDTV, M/M		
				RANGE	PHILP	PHILP		TREE	DATE	PART NO.	11.04.5795, 11.04.5796, 11.04.5797	ROO
①				0~6					2016-05-6			
②				6~30								
③				30~80								
④				80~180								
④				180~315								
⑤				315~800								

SECOMP

SCALE 1:1 UNIT MM