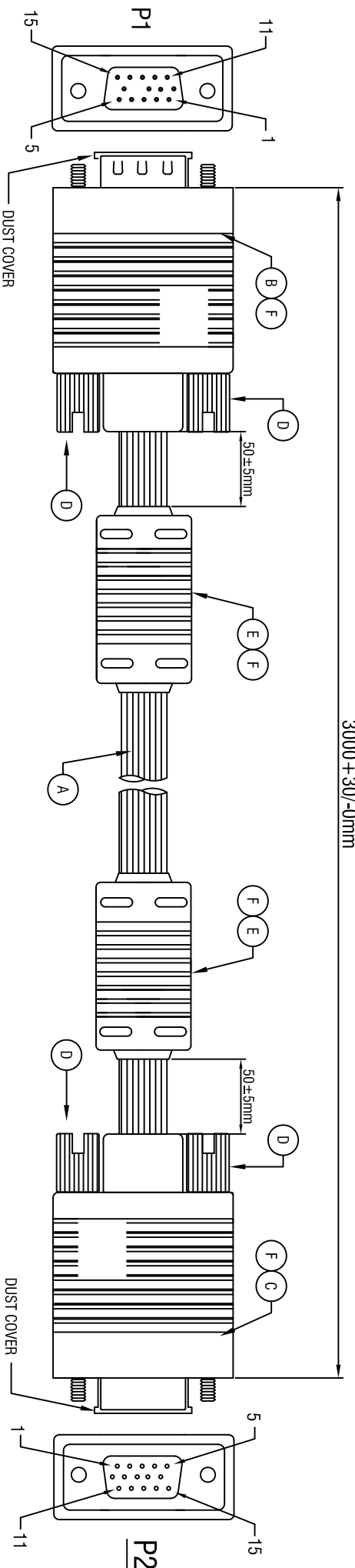
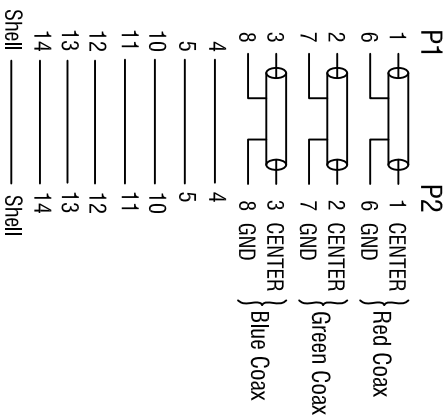


3000+30/-0mm



**WIRE ADDRESS**



- Electrical Test:
1. 100% TEST OPEN SHORT MIS-WIRE.
  2. CONTACT RESISTANCE:3Ω MAX.
  3. INSULATION RESISTANCE:5MΩ MIN.
  4. HI-POT:300V DC/10MS.
  5. Real Test Passed 1280\*1024.
  6. Real Test Not Twinkling, Double Vision and Decolor.

NUMBER	1	2	4	Quantity	Unit
F	45P BLACK PVC				G
E	Ferrite Core (17.5*28.5*9.5mm)			2	PCS
D	HD37.7 Screw			4	PCS
C	HDB15P FEMALE(PIN9 OUT,Black Insulator Nickel Plated)			1	PCS
B	HDB15P MALE(PIN9 OUT,Black Insulator Nickel Plated)			1	PCS
A	UI.2919.28# 3COAX+28*7C+ADB. OD=8.0mm BLACK DEVIATE PVC JACKET.			1	PCS
PRODUCT SPECIFICATIONS					
ROLINE HQ VGA Cable with Ferrite. HD15 M - HD15 F. 3.0m					
Item 11.04.5353					
Draw <i>Make</i> Date: 2020.05.13					
Approval					
Duty F16 BOM.NO.:13921					
Sample NO. _____ Drawings of 1 (2) Proportion: 1:1 Unit(mm)  A4					