

Wall Plate Access Point Junction Box

MODEL: OJB-100

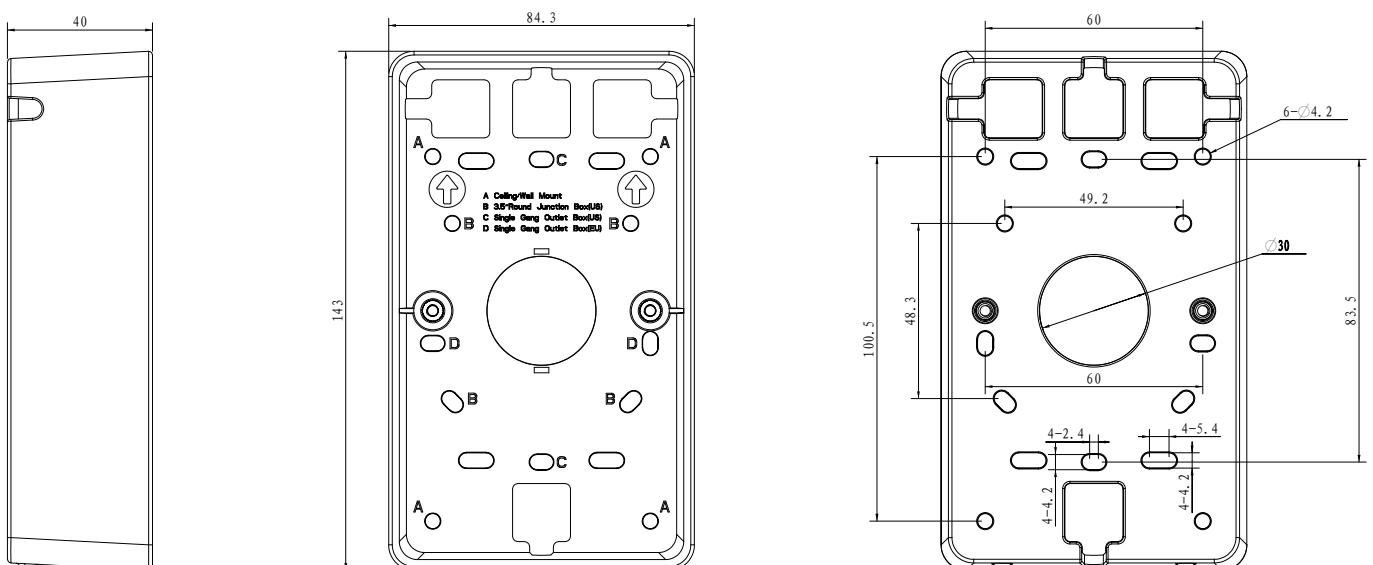


Features

- Enable compatible wall plate APs to be installed directly on bare walls, bringing lower pre-deployment costs and complexity.
- Ideal for installations without a reserved junction box, incompatible box sizes, or where network cables are not pre-installed in the wall.

Specifications

Appearance	Apple White
Material	Plastics
Weight	100.5g
Product Dimensions (W × D × H)	5.6 × 3.3 × 1.6 in (143 × 84.3 × 40mm)
Package Contents	Junction Box, Mounting Accessories
Compatible APs	EAP775-Wall V1.0, EAP725-Wall V1.0, Festa F65-Wall V1.0, EAP655-Wall V1.0, EAP615-Wall V1.0



www.tp-link.com

Specifications are subject to change without notice. All brands and product names are trademarks or registered trademarks of their respective holders. © 2024 TP-Link