

1

2

3

4

5

6

A

A

B

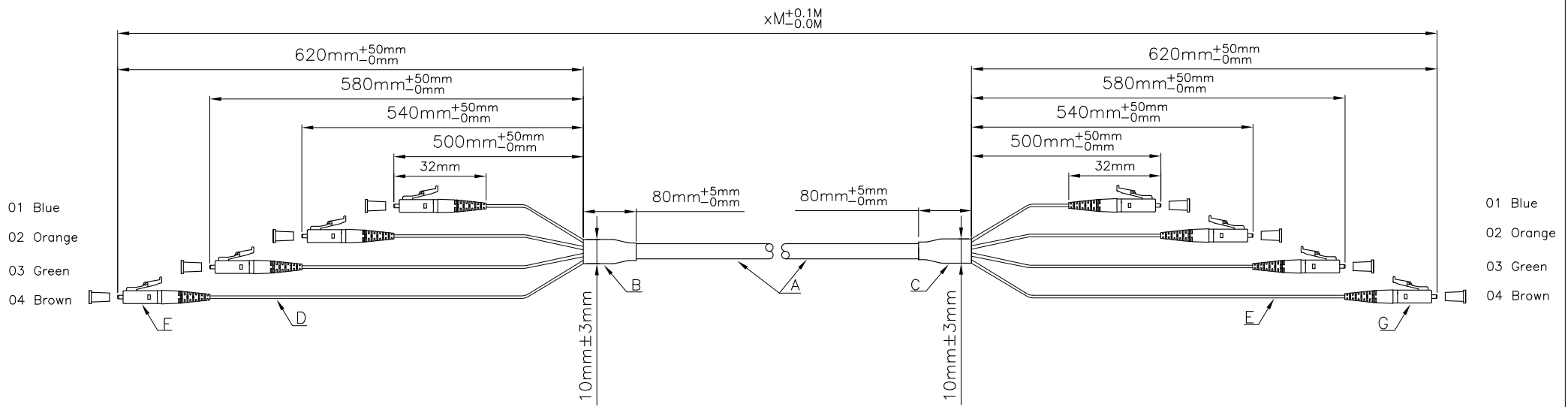
B

C

C

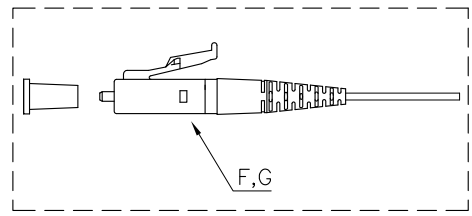
D

D

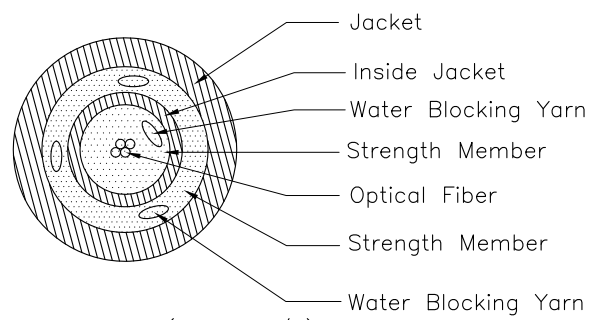


- 01 Blue
- 02 Orange
- 03 Green
- 04 Brown

- 01 Blue
- 02 Orange
- 03 Green
- 04 Brown

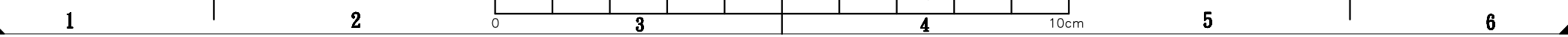


LC Connector (SCALE 1/1)



Cable Section (SCALE 5/1)

<b>ACT</b>	ACT Single Mode Fiber Optic Indoor / Outdoor cable 9/125 OS2	
	Item : RL23xx-B2ca	Revision : 1.0
	Date : 02-07-2024	
Drawn by : YMN	<small>This drawing is proprietary information of ACT Connectivity Solutions and confidential and provided to you for internal use on a need to know basis only. This document may not be duplicated for or disseminated to any third party without the prior explicit written consent of ACT Connectivity Solutions. Copies of this document, Printed or electronic, are uncontrolled and intended only for immediate use.</small>	



1

2

3

4

5

6

Specifications Installation cable (A)	
Type	Indoor/Outdoor cable
Outer diameter	6.5mm
Tensile strength	350N
Operation temp.	-20°C to +70°C
Storage temp.	-40°C to +80°C
Outer Jacket	LSZH
Euro fire class	B2ca s1, d1, a1
Cable colour	Black
UV resistance	Yes
Cable printing	CE MM/YY ACT 4F 9/125 OS2 10280010 xxxxM DoP: 1320-2231 B2ca, s1, d1, a1 NB0598 Communications supply in-/outdoor (MM=month, YY=year)
Specifications Heat Shrink Tubing (B,C)	
Length	80mm
Specifications Fanout cable (D,E)	
Type	Tubing
Outer diameter	0.9mm
Operation temp.	-20°C to +70°C
Storage temp.	-40°C to +80°C
Colors	Blue, Orange, Green, Brown
Fanout length	500mm (+50mm-0mm) - 620mm (+50mm-0mm)
Fanout staggered increments	40mm
Specifications Connector (F,G)	
Connector	LC
Polishing Connector	UPC
Ferrule Connector	Ceramic Zirconia (ZrO2)
Ferrule Diameter	1.25mm
Housing	Blue (PC)
Boot	White (TPV)
Cap	White (PE)



ACT Single Mode Fiber Optic Indoor / Outdoor cable 9/125 OS2

Item : RL23xx-B2ca

Revision : 1.0

Date : 02-07-2024

Drawn by : YMN

This drawing is proprietary information of ACT Connectivity Solutions and confidential and provided to you for internal use on a need to know basis only. This document may not be duplicated for or disseminated to any third party without the prior explicit written consent of ACT Connectivity Solutions. Copies of this document, Printed or electronic, are uncontrolled and intended only for immediate use.

1

2

0

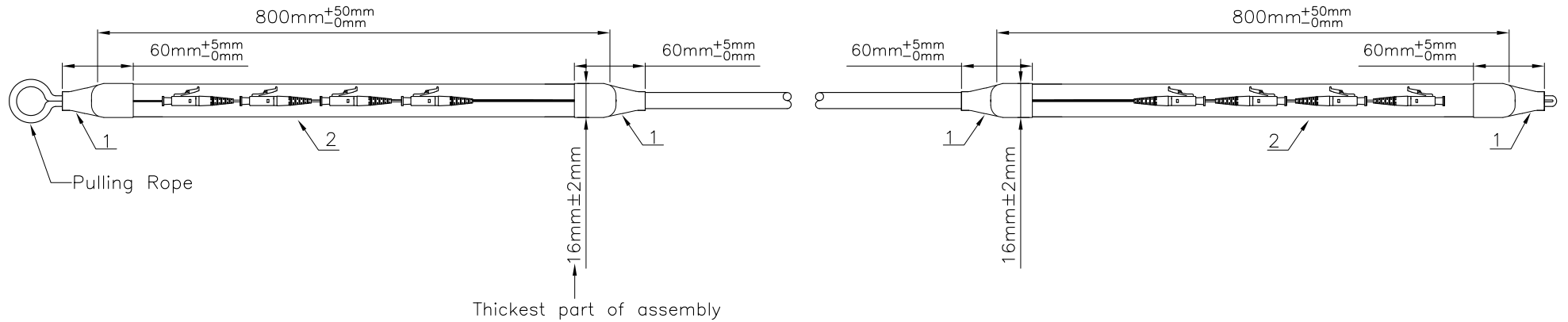
3

4

10cm

5


6



Item	Length(m)	Item	Length(m)
RL2301	10	RL2316	160
RL2302	20	RL2317	170
RL2303	30	RL2318	180
RL2304	40	RL2319	190
RL2305	50	RL2320	200
RL2306	60	RL2321	210
RL2307	70	RL2322	220
RL2308	80	RL2323	230
RL2309	90	RL2324	240
RL2310	100	RL2325	250
RL2311	110	RL2326	260
RL2312	120	RL2327	270
RL2313	130	RL2328	280
RL2314	140	RL2329	290
RL2315	150	RL2330	300

Specifications heat shrink tubing (1)	
Length	60mm
Specifications protective tube (2)	
Material	PVC
Color	Transparent
Dimensions	800mm(+50mm -0mm) x 12mm x 15mm

Length (m)	Reel Weight (KG)	Reel dimension (mm)
120	1.7	327 (H) x 345 (ø)
121-240	1.9	327 (H) x 400 (ø)
241-330	2.8	330 (H) x 450 (ø)
331-420	3.1	330 (H) x 480 (ø)
≥421	3.3	400 (H) x 480 (ø)

	ACT Single Mode Fiber Optic Indoor / Outdoor cable 9/125 OS2	
	Item : RL23xx-B2ca	Revision : 1.0
		Date : 02-07-2024
Drawn by : YMN	<small>This drawing is proprietary information of ACT Connectivity Solutions and confidential and provided to you for internal use on a need to know basis only. This document may not be duplicated for or disseminated to any third party without the prior explicit written consent of ACT Connectivity Solutions. Copies of this document, Printed or electronic, are uncontrolled and intended only for immediate use.</small>	

1

2

3

4

5

6

A

A

B

B


C

C

D

D

Specifications fiber	
Fiber type	Single Mode
Fiber class	OS2
Diameter core / cladding	9/125
Specifications optical performance	
Insertion Loss (IL) typical	0.1 dB
Insertion Loss (IL) maximum	0.15 dB
Return Loss (RL)	≥ 55 dB
Standard compliances	
IEC 61754-20	Fibre optic connector interfaces - Type LC connector family
IEC 61300-3-47	Examinations and measurements - End face geometry of PC/APC spherically polished ferrules using interferometry
IEC 60794-2-20	Indoor cables - Family specification for multi-fibre optical cables
IEC 60794-1-2	Basic optical cable test procedures
IEC 60332-1-2	Test for vertical flame propagation for a single insulated wire or cable
IEC 60754-1	Determination of the halogen acid gas content
IEC 60754-2	Determination of acidity (by pH measurement) and conductivity
IEC 61034-2	Measurement of smoke density of cables burning under defined conditions

	ACT Single Mode Fiber Optic Indoor / Outdoor cable 9/125 OS2	
	Item : RL23xx-B2ca	Revision : 1.0
		Date : 02-07-2024
Drawn by : YMN	<small>This drawing is proprietary information of ACT Connectivity Solutions and confidential and provided to you for internal use on a need to know basis only. This document may not be duplicated for or disseminated to any third party without the prior explicit written consent of ACT Connectivity Solutions. Copies of this document, Printed or electronic, are uncontrolled and intended only for immediate use.</small>	

1

2

0

3

4

10cm

5

6