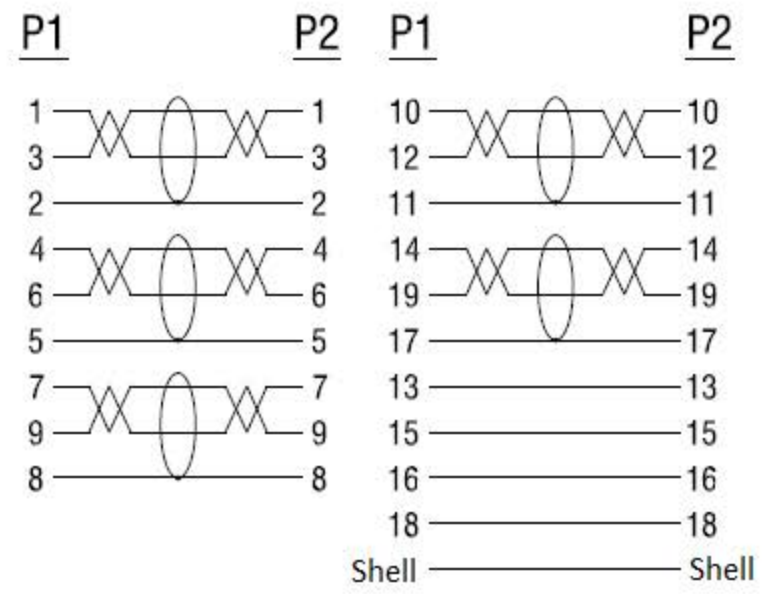
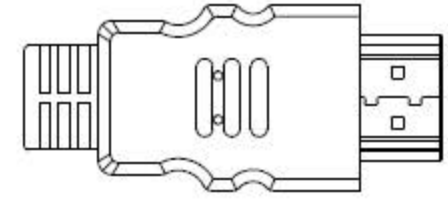
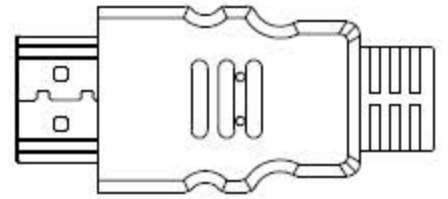


WIRE ADDRESS



Electrical Test:

1. 100% Test Open, Short, Mis-wire
2. Contact Resistance: 5Ω Max.
3. Insulation Resistance: 5MΩ Min.
4. Hi-Pot: 300V DC/10Ms. .
5. Real Test Passed 4K @120Hz or 8K @60Hz or 10K @30Hz
6. Real Test Not Twinking, Double Vision and Decolor

Cable Printing: High speed HDMI™ Cable with Ethernet

VER.A	REVISE
-------	--------

ROLINE HDMI UHD Cable, 10K, Dynamic HDR M/M, 3m, black

C	45P Black PVC		G
B	HDMI 19P Mlae (Black Insulator, Gold Plated)	2	pcs
A	UL20276 (26AWG*1P+DAM)*5+26AWG*4+ADB, OD:8.5mm Black PVC Jacket	1	pcs
Number	Z-11.04.5943	Specifications	Q'ty Unit

Item	11.04.5943
Draw	Kobe Date: 2018.10.18
Approval	
Duty	F16 BOM.NO:
Sample NO.	

