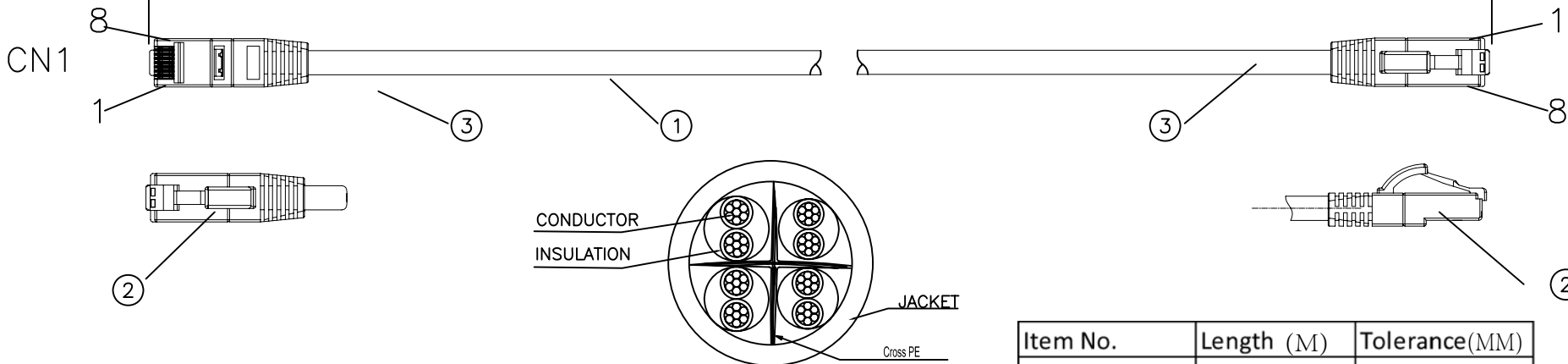


Length ± xx mm



MATERIAL LIST:

NO.	PARTS NAME	SPECIFICATION DESCRIPTION
①	CABLE	UTP [24AWG 7*0.19±0.015mm((Bare Copper)*1PR)*4+PVC OD:5.8±0.3mm COLOR:YELLOW
②	RJ45 CONNECTOR	RJ45,8P8C,TWO FORK GOLD PLATED CONTACTS
③	MOLDING	MOLDING PVC , COLOR:YELLOW

(1)Jacket Color:Yellow(RAL 1004)  
(2)wiring:T568B

Item No.	Length (M)	Tolerance(MM)
21.99.1430	0.5	+20/-10
21.99.1431	1	+/-20
21.99.1432	2	+/-40
21.99.1433	3	+/-60
21.99.1435	5	+/-110
21.99.1436	7	+/-140
21.99.1437	10	+/-200
21.99.1438	15	+/-310
21.99.1439	20	+/-400

Marking: E213738 CM (UL) C(UL) UTP PATCH CORD 24AWG 4P ISO/IEC 11801 AND TIA/EIA 568 CAT6A

ELECTRONIC TEST:

- A. OPEN/SHORT: 100%.
- B. WORKING TEMPERATURES:-20~60℃
- C. Minimum Banding Radius: 46MM

Item No.	21.99.1430	21.99.1431	21.99.1432	21.99.1433	21.99.1435
	21.99.1436	21.99.1437	21.99.1438	21.99.1439	
REMARK: NO	CHA NO	DESC	VALUE UTP Cat. 6a Patch Cord, yellow		
DRAWN BY	WEIHAIYAN		<b>SECOMP</b>		
APPROVED BY	MORGAN				
DATE	2015.09.22				