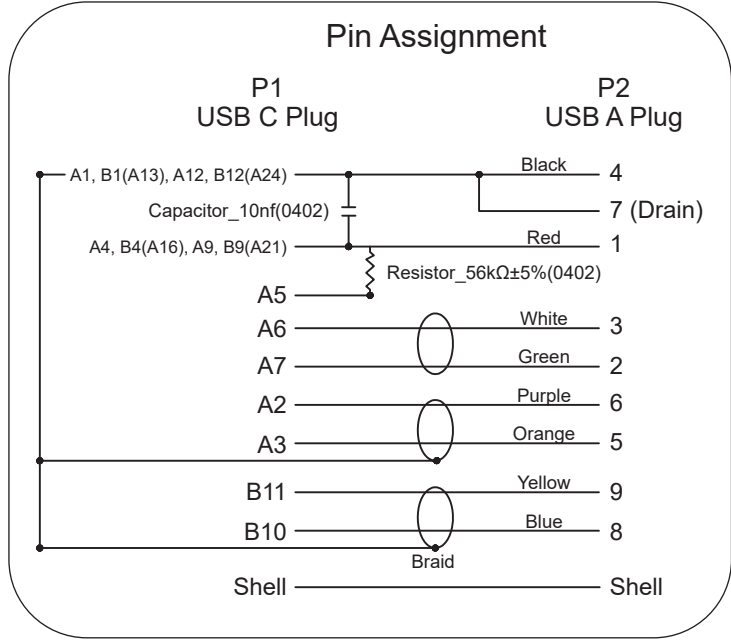
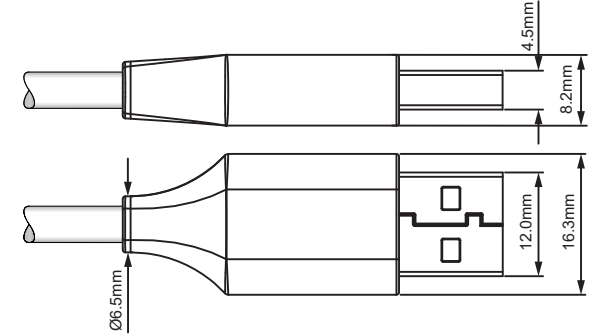
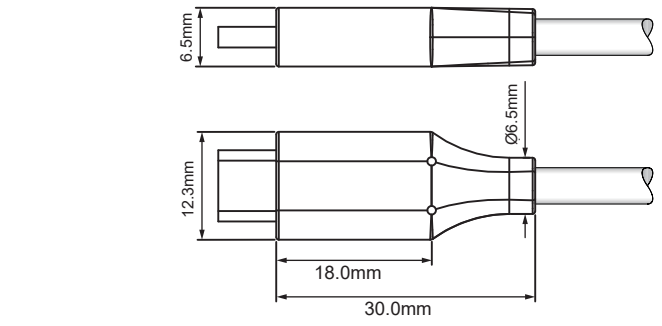
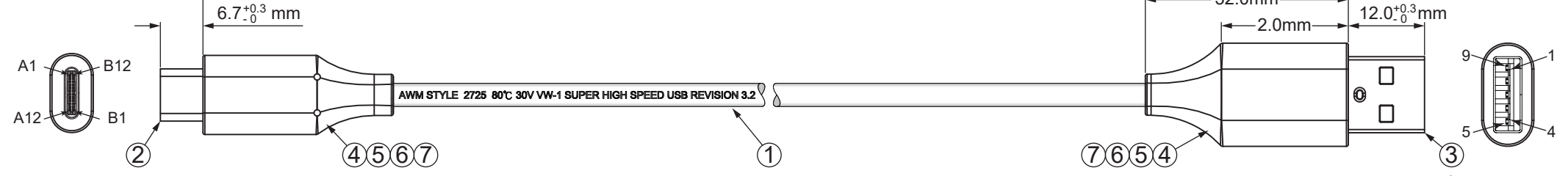


USB3.2 Type C Plug

USB3.1 A Plug



**Specification :**

- 1 Cable UI2725, (1P\*32AWG+D+AL+MY)\*2C+IP\*32AWG+2C\*24AWG+F+ADB(16/9/0.08T), OD: 4.2mm, Jacket: PVC 144TA RoHS, Color: Black, Printing: AWM STYLE 2725 80°C 30V VW-1 SUPER HIGH SPEED USB REVISION 3.2
- 2 Conn. 1 USB C Plug, RoHS
- 3 Conn. 2 USB A Plug, RoHS
- 4 Tin Wire Lead-free Solder Tin Wire OD: 0.8mm, 1000G, RoHS
- 5 Tube Color: Black, Ultra Thin Tube, OD: 0.8mm, RoHS
- 6 Inner Molding LD-PE 950 RoHS
- 7 Outer Molding PVC A813 45P RoHS, Color: Black

P/N	Length
11.02.9010	0.5M±15 mm
11.02.9011	1M±20 mm

<b>SECOMP</b>	Product Name	ROLINE USB3.2 Gen1 Cable, A-C, M/M, black	Approve	Check	Draw	Design	Rev.	Date	Contents of Change	Design
	Product No.	11.02.9010/11.02.9011	Allen	Allen	Kuan	Kuan	1			
Issue Date : 2020/11/24			⊕	Scale 1:1	Unit : mm		2			
							3			