







## Smart Water Leak Sensor

Tapo T300

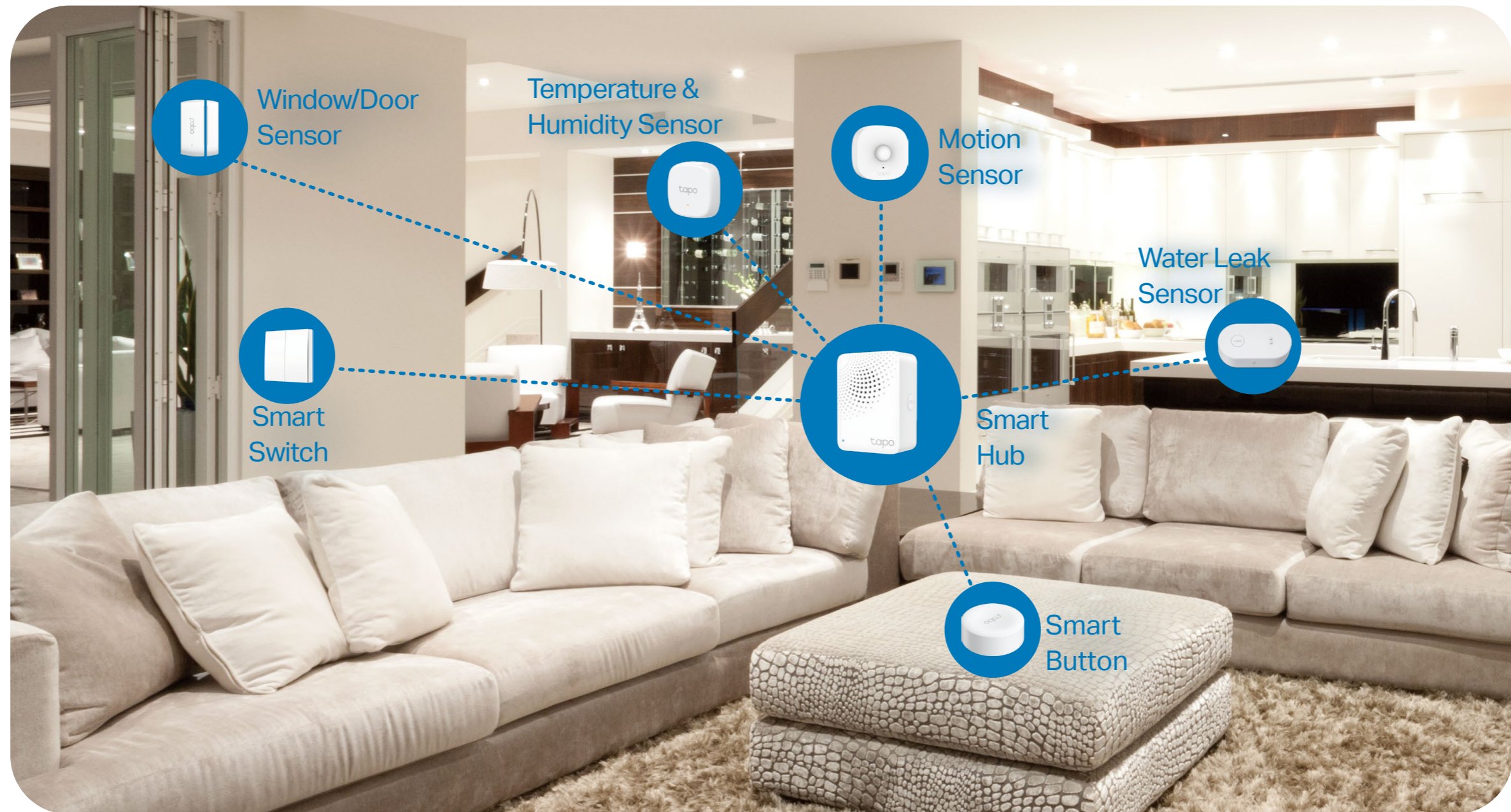
-  Drip & Leak Alert
-  90 dB Adjustable Alarm
-  IP67 Waterproof
-  Instant App Notifications



Tapo Hub  
Required

# // Tapo Smart Ecosystem

Tapo provides an easy way to turn your home into a smart home. With the Tapo Hub as a bridge, the Tapo Smart Sensor works with a wide range of Tapo devices. Easily control and monitor your home from anywhere.



# // Highlights

## Protect your property from extensive water damage.

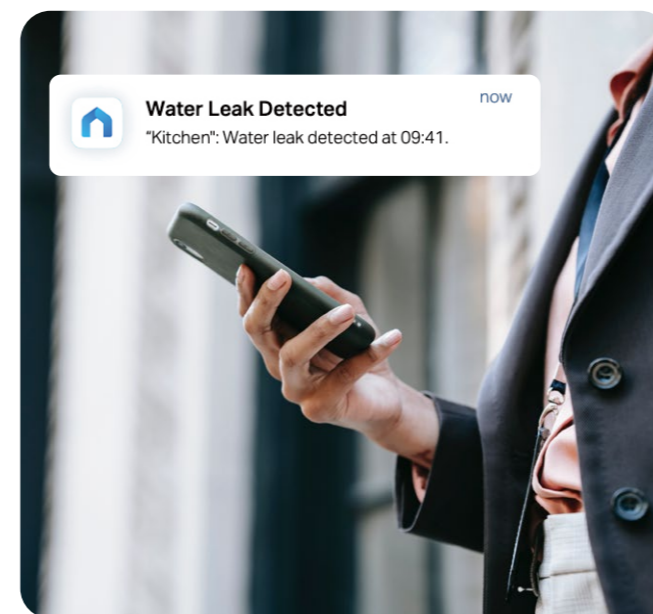
The Tapo Smart Water Leak Sensor notifies you via different methods in case of an emergency. Receive instant alerts immediately when a water leak occurs, so you can respond quickly to prevent further damage.



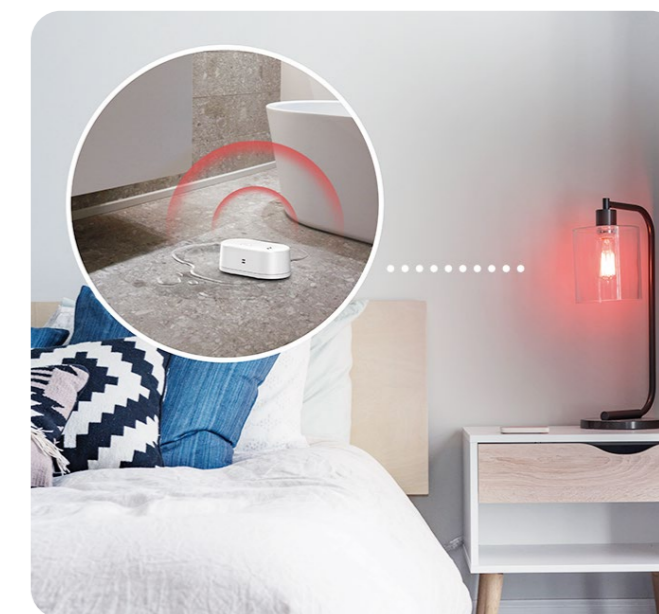
**Built-in  
90 dB Alarm**



**Tapo Hub  
Alarm**



**Instant  
App Notifications**



**Visible Alarm  
with Smart Lights**

(Tapo smart lights sold separately)

# // Features

- **Drip & Leak Alert**

Features 6 highly sensitive sensor probes to quickly and consistently respond to drips and leaks for faster protection of your property.

- **Built-in 90 dB Alarm**

Alerts you immediately with its adjustable 90 dB alarm when leakage occurs. Press once to silence the alarm after you find the spot.

- **Instant App Notifications**

Receive an instant app notification when a leak happens. Find out even while away from home to prevent worse water damage.

- **Tapo Hub Alarm**

Triggers the Hub alarm for additional audible alert coverage in your home when water leakage is detected.

- **Visible Alarm with Smart Lights**

Set up Smart Actions in the Tapo app to get a visual alert from your Tapo smart lights before disaster strikes.

(Tapo smart lights sold separately)

- **IP67 Rating**

Provides high-grade water resistance and dust protection and a long service life. Ideal for humid and dusty environments.

- **Flexible Placement**

No wiring required and simple to use. Place the sensor anywhere leaks or flooding may occur, like near a washing machine, water heater, sink/bathtub, and more.

- **1 Year+ Battery**

Uses two replaceable AAA batteries (pre-installed out of box) and provides you with up to a year of protection. Receive in-app reminders when the batteries are low.

# // Specifications

## General

- Wireless: 868 MHz (EU version);<sup>†</sup> 922 MHz (US version)<sup>‡</sup>
- Input Power: 2pcs 1.5V AAA/LR03 Battery
- Buzzer Sound Level: 0-90 dB (Mute, Low, Normal, High)
- IP Rating: IP67
- Battery Life: 1 Year+ <sup>§</sup>

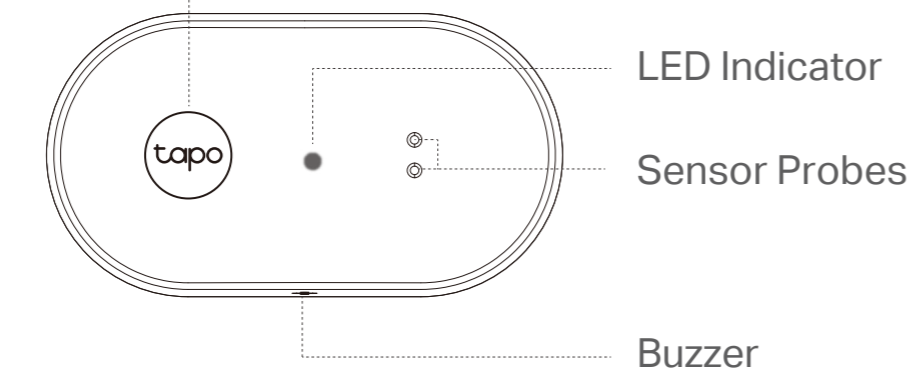
Note: Tapo Hub is required (sold separately).

## Other

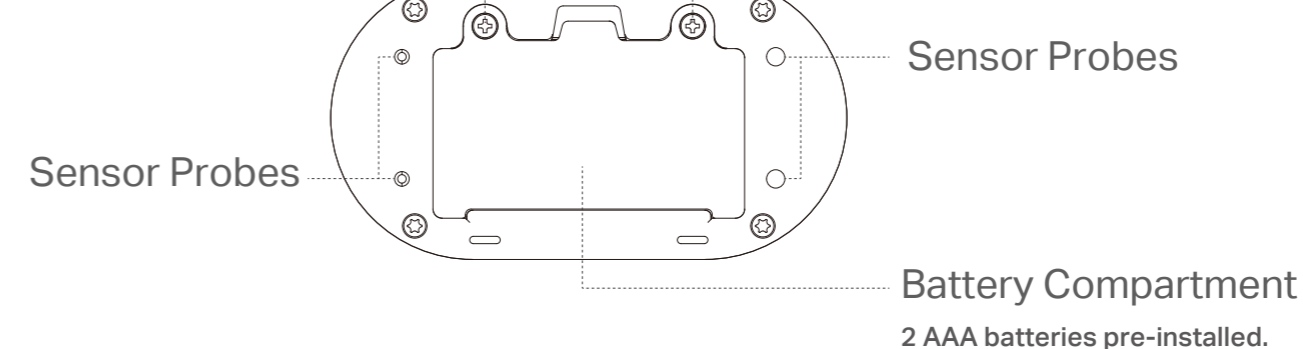
- Package Contents:
  - Smart Water Leak Sensor × 1
  - AAA/LR03 Batteries × 2<sup>△</sup>
  - Quick Start Guide
- Certifications: FCC, CE, R-NZ, UKCA, RoHS, JRF, VCCI, NCC, RCM
- Operating Temperature: 0~40°C (32~104°F)
- Operating Humidity: 0%–99% RH
- Dimensions: 84.5 × 46.5 × 30 mm (3.3 × 1.8 × 1.2 in)

### Control Button

- Single press**  
Silence alarm;  
Test connection with the hub.
- Double press**  
Adjust alarm volume.
- Press and hold for 5s**  
Pair with hub.



### Battery Cover Screws



<sup>†</sup> The specific working frequencies for the EU version are 863 MHz to 865 MHz and 868 MHz to 868.6 MHz.

<sup>‡</sup> The specific working frequencies for the US version are 920.9 MHz to 923.3 MHz.

<sup>§</sup> Battery life estimates obtained through testing in a laboratory setting. Actual results may vary.

<sup>△</sup> Batteries are pre-installed in the sensor.